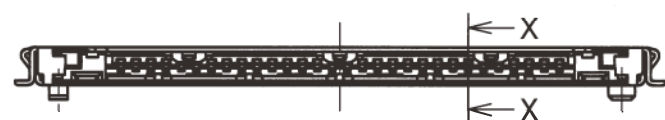
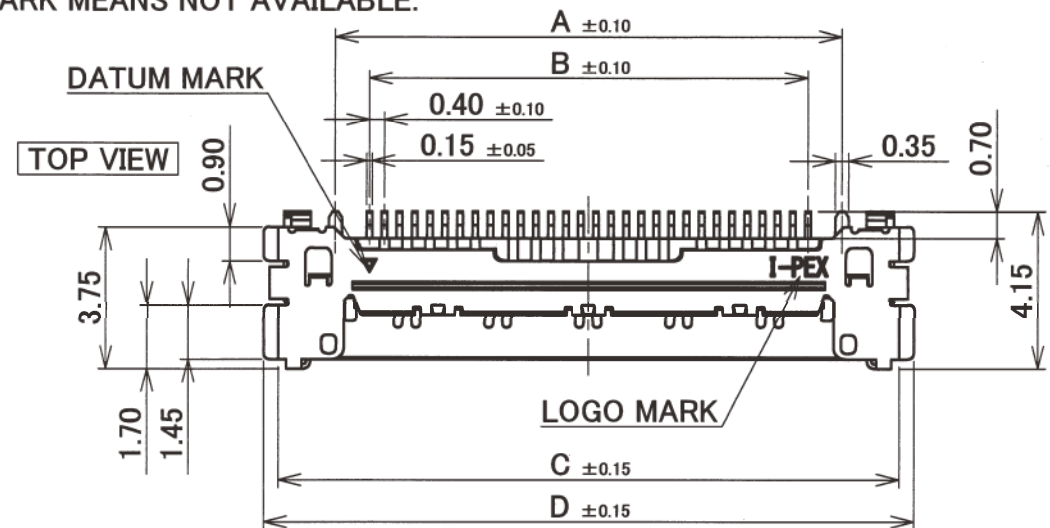


Recommended P/N 20525-0\*\*E-02

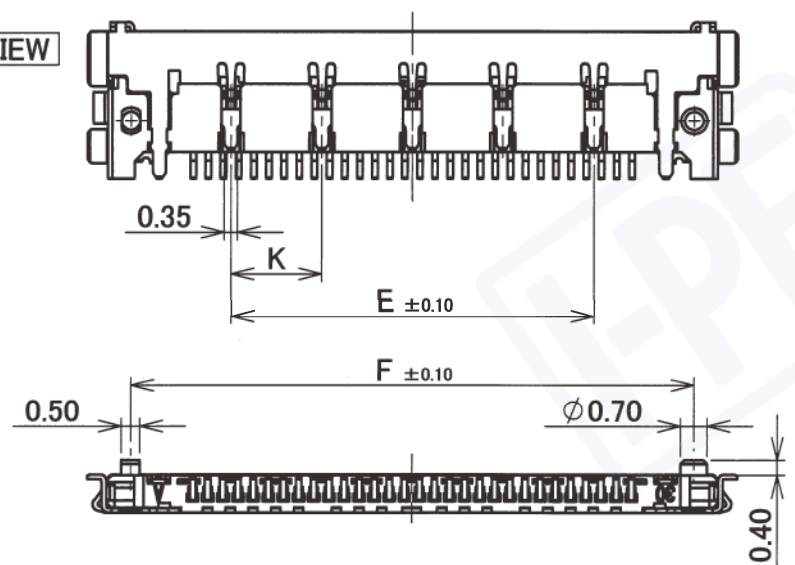
PART NO.	Pos.	A	B	C	D	E	F	G	H	J	K
◆20525-010E-0##	10	5.40	3.60	8.43	9.20	-	6.90	8.18	9.60	11.60	-
20525-012E-0##	12	6.20	4.40	9.23	10.00	2.40	7.70	8.98	10.40	12.40	-
20525-020E-0##	20	9.40	7.60	12.43	13.20	4.80	10.90	12.18	13.60	15.60	2.40
20525-030E-0##	30	13.40	11.60	16.43	17.20	9.60	14.90	16.18	17.60	19.60	2.40
20525-040E-0##	40	17.40	15.60	20.43	21.20	12.00	18.90	20.18	21.60	23.60	2.40
20525-050E-0##	50	21.40	19.60	24.43	25.20	16.80	22.90	24.18	25.60	27.60	2.80
20525-060E-0##	60	25.40	23.60	28.43	29.20	19.20	26.90	28.18	29.60	31.60	3.20

**PATENT PENDING**

◆MARK MEANS NOT AVAILABLE.

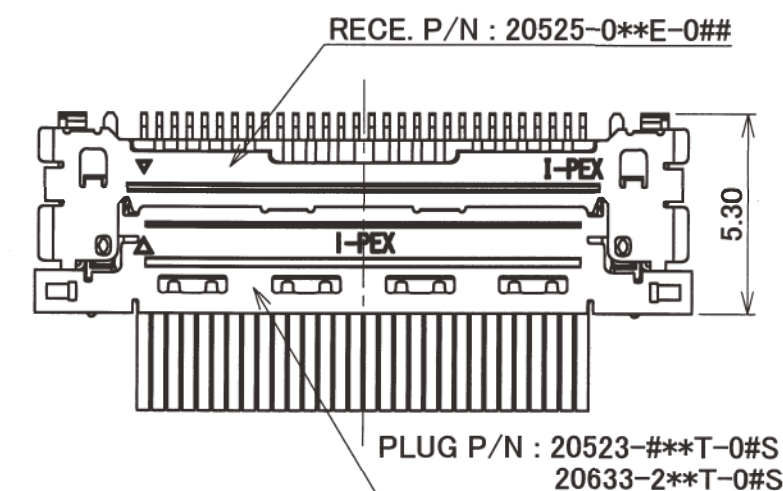
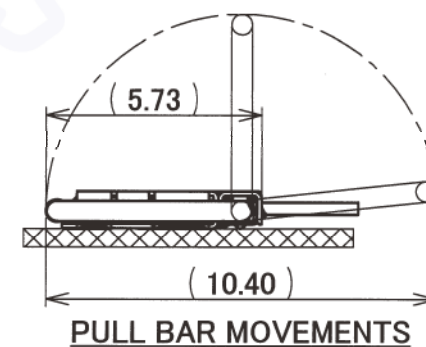
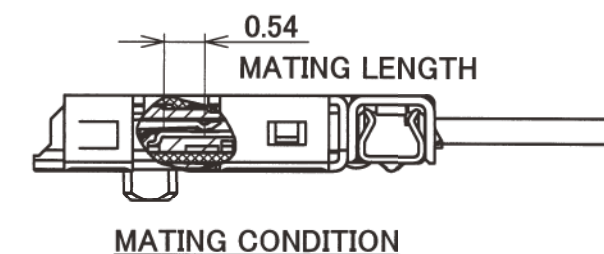
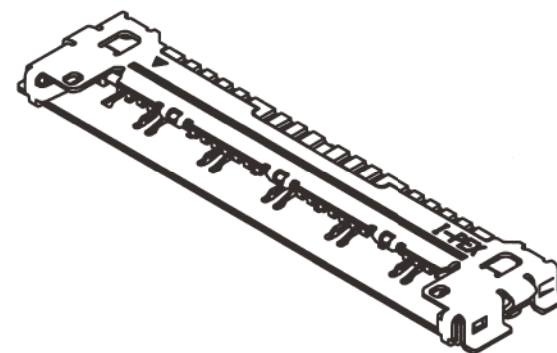
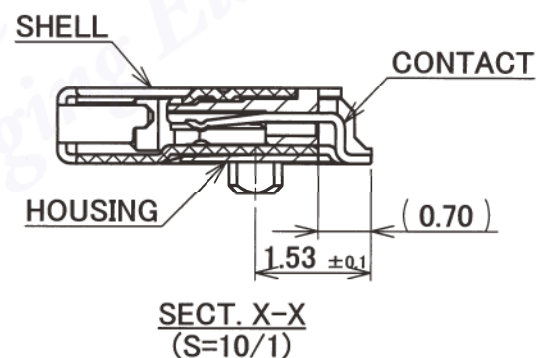
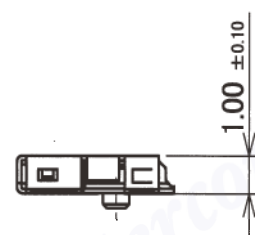


BOTTOM VIEW



P/N : 20525-0\*\* E- 0 # #

WITHOUT: Packing QTY. is 5000 in reel  
M: Packing QTY. is 2000 in reel  
1 : WITH BOSS  
2 : WITHOUT BOSS  
Pos.



NOTES.

- MATEAL  
HOUSING : HEAT RESISTING PLASTICS, UL94V-0, BLACK  
CONTACT : COPPER ALLOY / Au PLATING  
SHELL : COPPER ALLOY / Au PLATING
- COPLANARITY : 0.10MAX.
- PRODUCT SPECIFICATION : No. PRS-1807 / PRS-1968 (TYPE34)
- TO HANDLE THIS CONNECTOR, YOU MUST READ AND FOLLOW THE INSTRUCTION MANUAL BELOW.  
INSTRUCTION MANUAL : No. HIM-09008
- RoHS Compliant

GENERAL TOLERANCE	
6 MAX.	±0.2
6 OVER MAX. 30	±0.3
30 OVER MAX. 120	±0.5
ANGLE	±2°

**I-PEX** DAI-ICHI SEIKO CO.,LTD.  
I-PEX Business Company

TITLE		SCALE	UNIT	DWG. No.	SHEET	REV.
CABLNE-CA RECE. ASS'Y		5/1	mm	20525	1/2	17

SERIES No. R6R7

CUSTOMER COPY



SCALE 5/1 UNIT mm

DWG. No. 20525

SHEET 1/2 REV. 17

Confidential III C

QKE-DFFDE06-02 REV.7

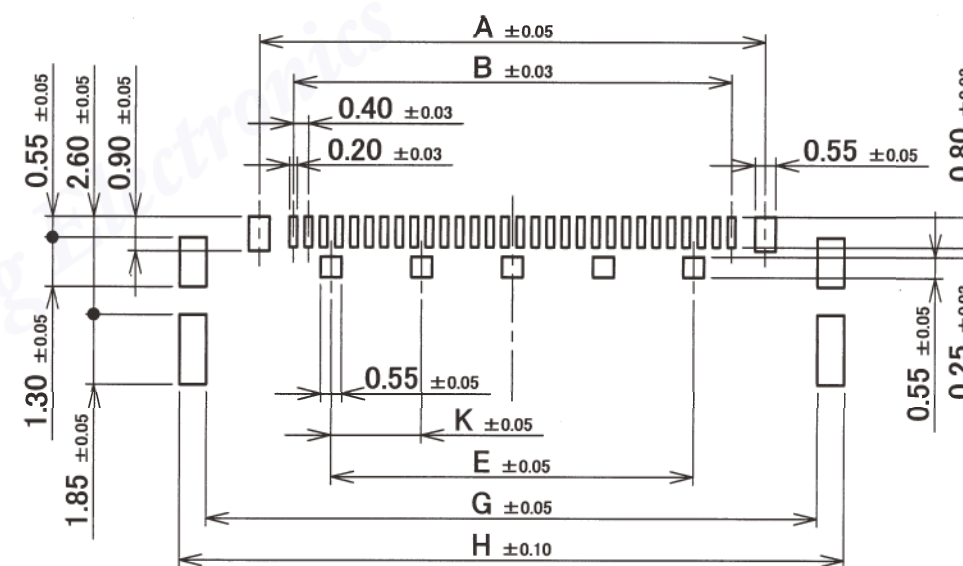
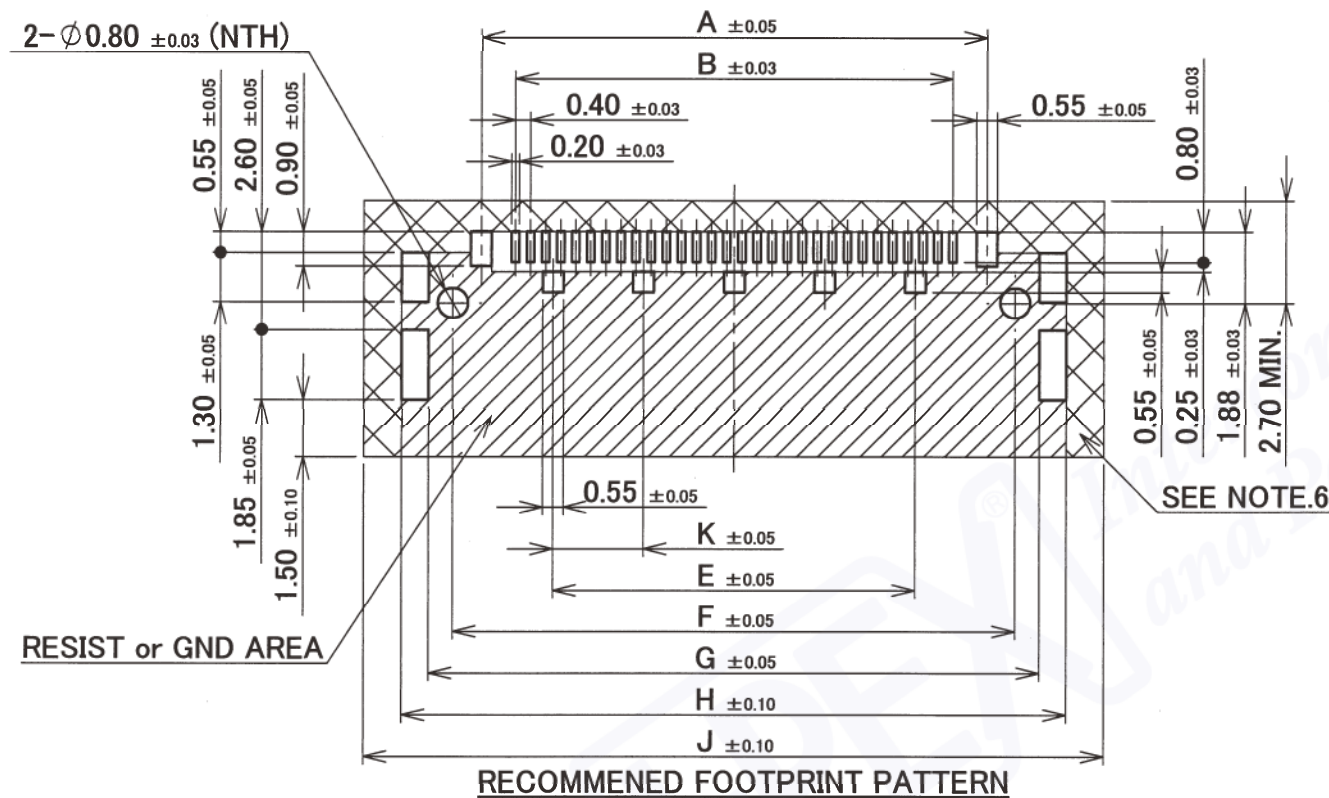
**Recommended P/N 20525-0\*\*E-02**

PART NO.	Pos.	A	B	E	F	G	H	J	K
◆20525-010E-0##	10	5.40	3.60	-	6.90	8.18	9.60	11.60	-
20525-012E-0##	12	6.20	4.40	2.40	7.70	8.98	10.40	12.40	-
20525-020E-0##	20	9.40	7.60	4.80	10.90	12.18	13.60	15.60	2.40
20525-030E-0##	30	13.40	11.60	9.60	14.90	16.18	17.60	19.60	2.40
20525-040E-0##	40	17.40	15.60	12.00	18.90	20.18	21.60	23.60	2.40
20525-050E-0##	50	21.40	19.60	16.80	22.90	24.18	25.60	27.60	2.80
20525-060E-0##	60	25.40	23.60	19.20	26.90	28.18	29.60	31.60	3.20

P/N : 20525-0\*\* E- 0 # #  
 WITHOUT : Packing QTY. is 5000 in reel  
 M: Packing QTY. is 2000 in reel  
 1 : WITH BOSS  
 2 : WITHOUT BOSS  
 Pos.

**PATENT PENDING**

◆MARK MEANS NOT AVAILABLE.



NOTES.  
 6. IN CASE OF PLUG WITH PULL BAR(P/N 20523-##T-01S or 20633-2\*\*T-01S), THIS AREA CANNOT MOUNT ANOTHER COMPONENTS.

GENERAL TOLERANCE	
6 MAX.	±0.2
6 OVER MAX. 30	±0.3
30 OVER MAX. 120	±0.5
ANGLE	±2°

**I-PEX DAI-CHI SEIKO CO.,LTD.**  
 I-PEX Business Company

TITLE		SCALE	UNIT	DWG. No.	SHEET	REV.
CABLIN-CA RECE. ASS'Y		5/1	mm	20525	2/2	17

SERIES No. R6R7

CUSTOMER COPY

