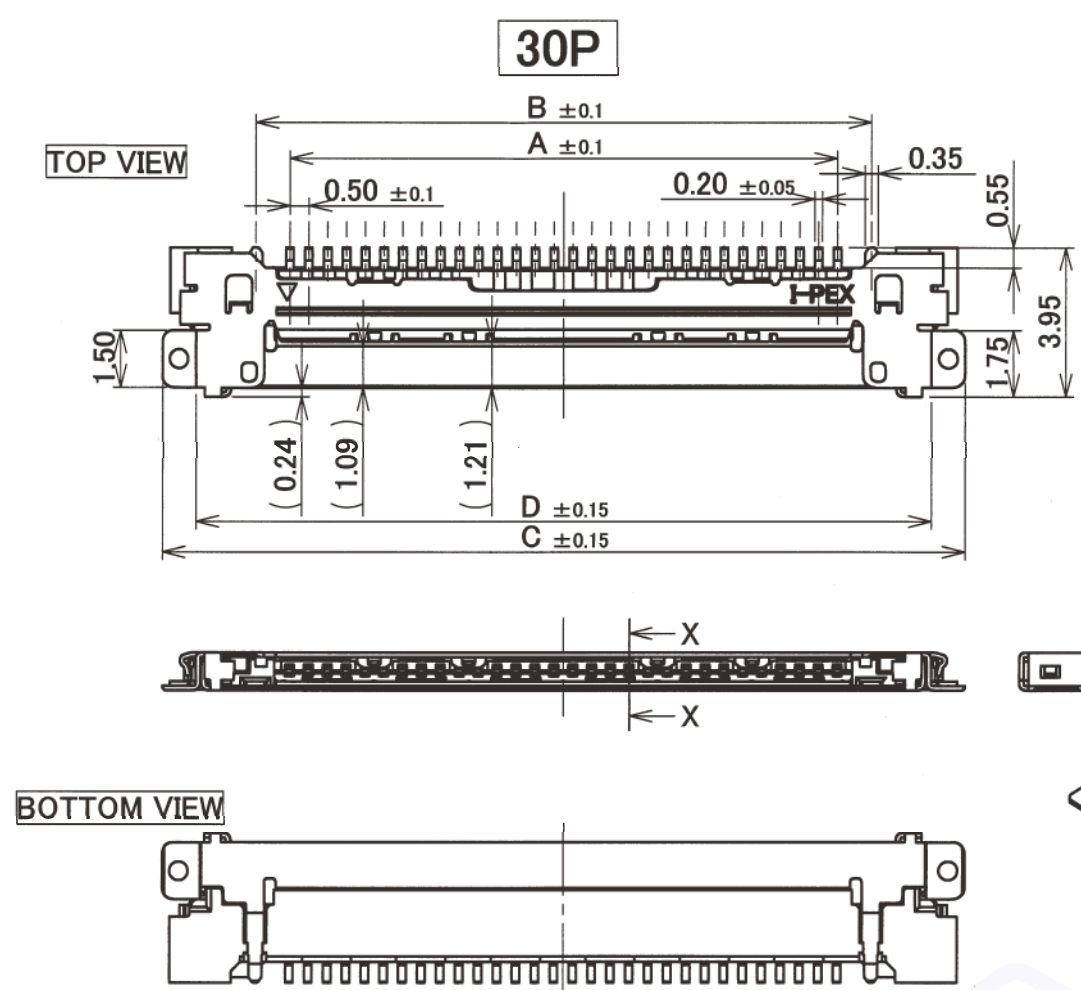
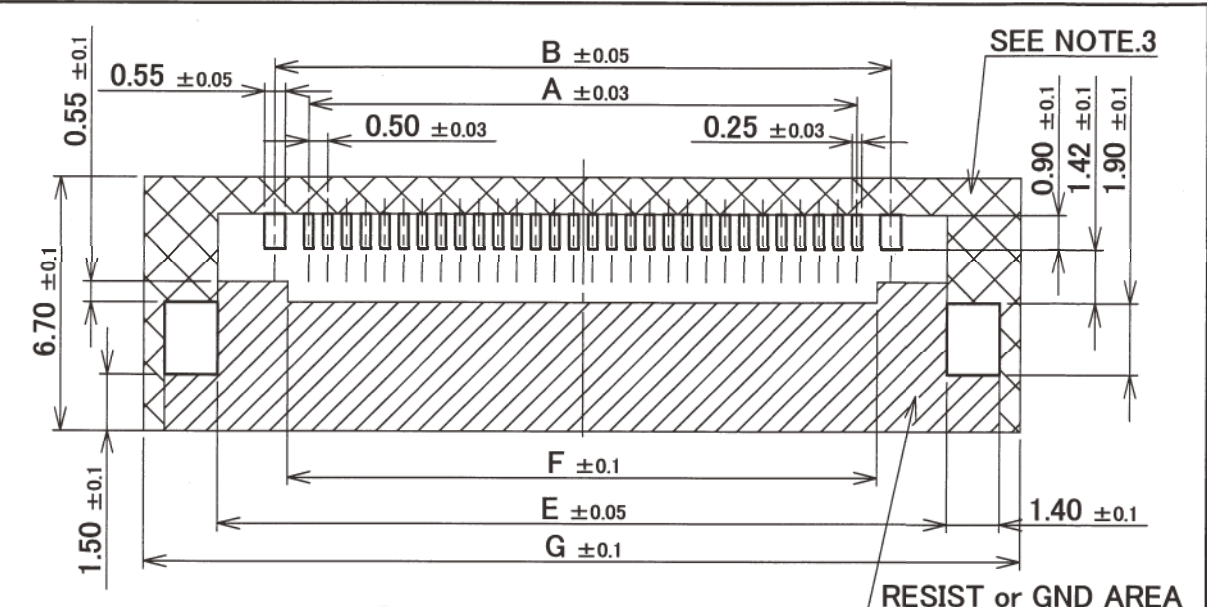
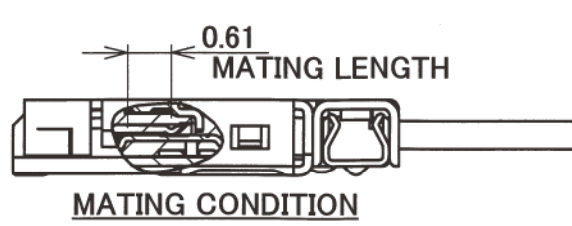


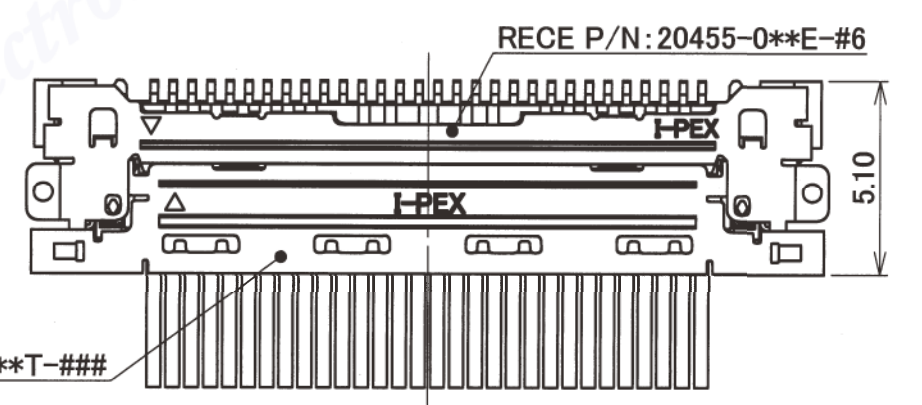
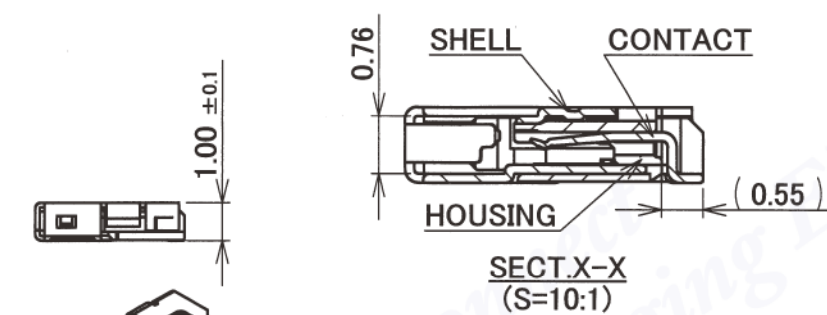
| | | | | | | | |
|-----------------|---------------|-------|-------|-------|-------|-------|-------|
| Recommended P/N | 20455-0**E-76 | | | | | | |
| PART NO. | A | B | C | D | E | F | G |
| 20455-030E-#6 | 14.50 | 16.30 | 21.25 | 19.47 | 19.30 | 15.60 | 23.20 |
| 20455-040E-#6 | 19.50 | 21.30 | 26.25 | 24.47 | 24.30 | 20.60 | 28.20 |
| 20455-050E-#6 | 24.50 | 26.30 | 31.25 | 29.47 | 29.30 | 25.60 | 33.20 |



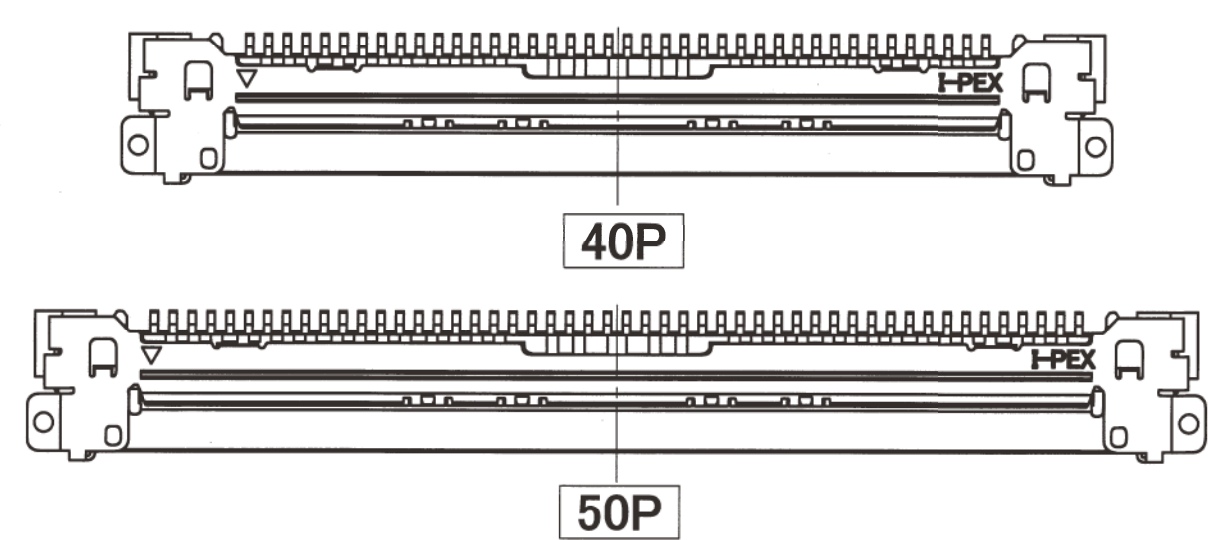
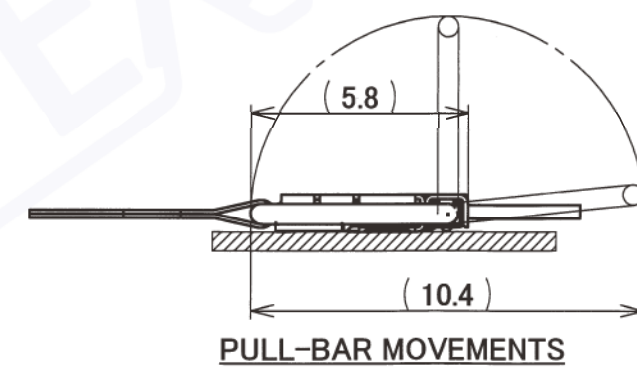
P/N:20455-0**E-# 6
 6 : WITH DATUM MARK
 7 : WITHOUT DATUM MARK



RECOMMENDED PCB LAYOUT & METAL MASK LAYOUT
 METAL MASK THICKNESS : t = 0.12mm



- NOTES.
- MATERIAL & FINISH
 HOUSING : HEAT RESISTING PLASTICS, UL94V-0, BLACK
 CONTACT: COPPER ALLOY / PLATING : Au
 SHELL : COPPER ALLOY / PLATING : Au
 - COPLANARITY : 0.1MAX.
 - IN CASE OF PLUG WITH PULL-BAR,
 THIS AREA CANNOT MOUNT ANOTHER COMPONENTS.
 - TO HANDLE THIS CONNECTOR
 YOU MUST READ AND FOLLOW THE INSTRUCTION MANUAL BELOW.
 INSTRUCTION MANUAL No. : HIM-08004
 - RoHS Compliant
 - PRODUCT SPECIFICATION: No. PRS-1862
 - THIS PRODUCT IS HALOGEN FREE



| GENERAL TOLERANCE | |
|-------------------|------|
| 6 MAX. | ±0.2 |
| 6 OVER MAX. 30 | ±0.3 |
| 30 OVER MAX. 120 | ±0.5 |
| ANGLE | ±2° |

PATENT REGISTERED

SERIES No. R7

CUSTOMER COPY PROJECTION

SCALE 5:1 UNIT mm

DWG. No. 20455

SHEET 1/2 REV. 4

I-PEX DAI-ICHI SEIKO CO.,LTD.
 I-PEX Business Company

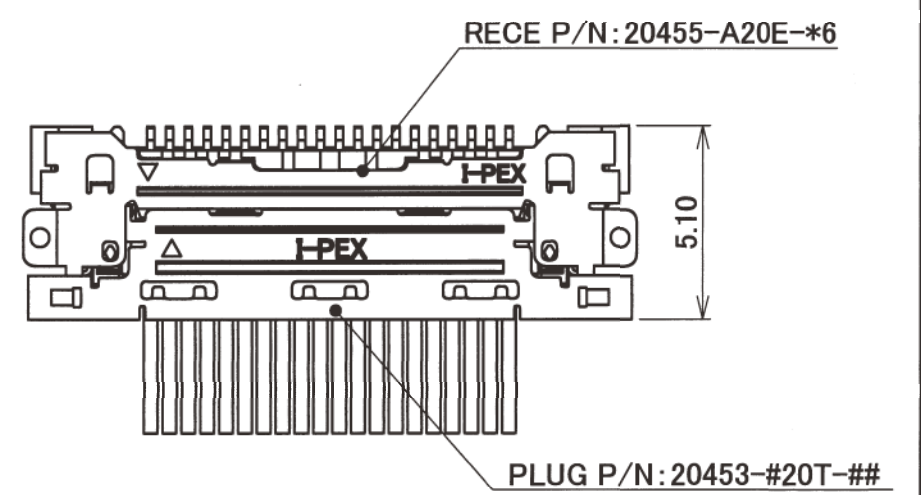
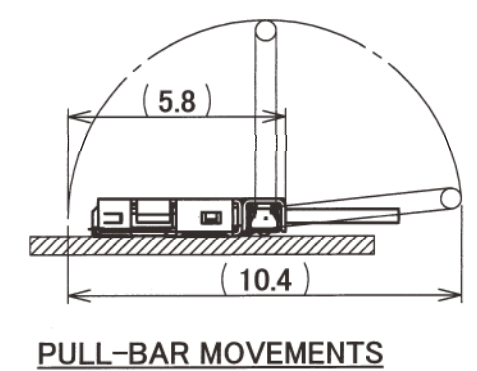
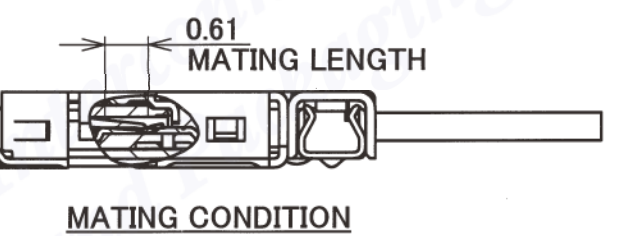
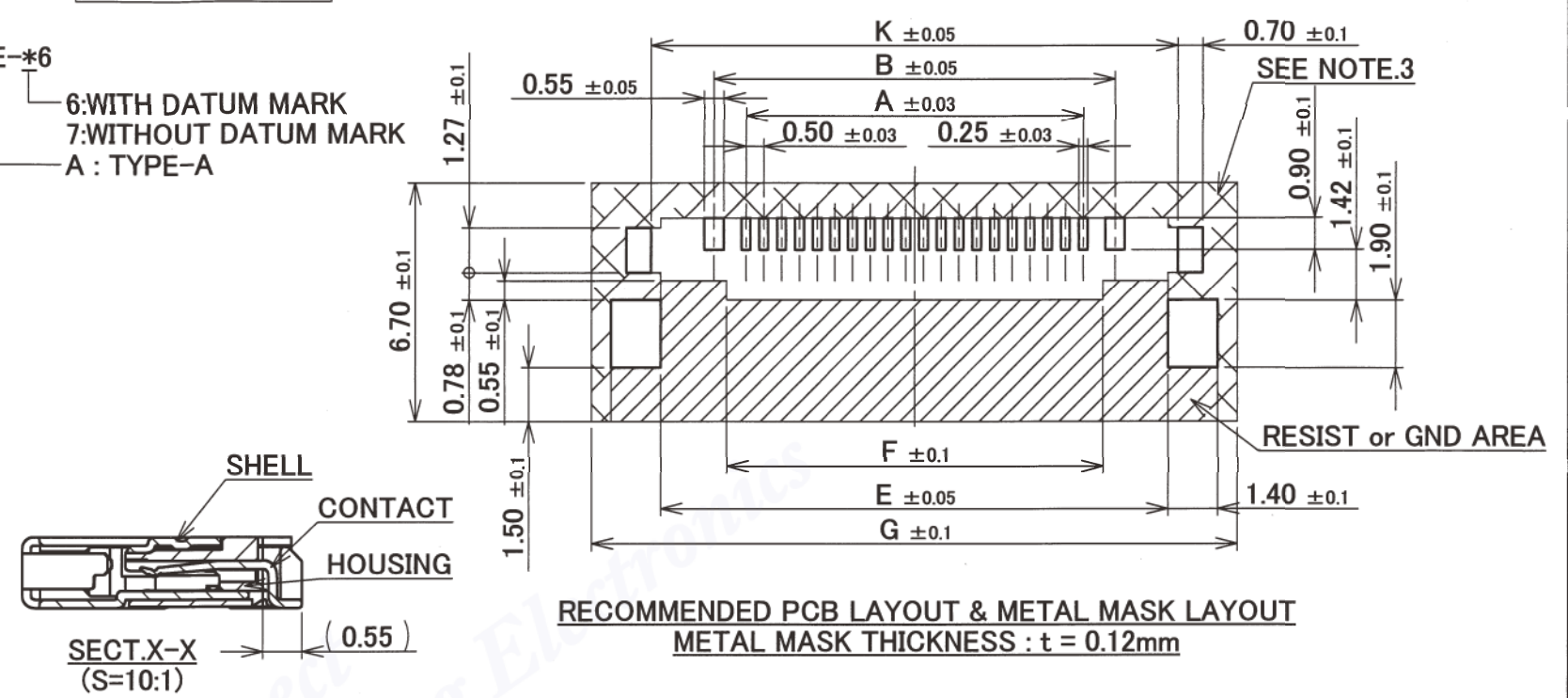
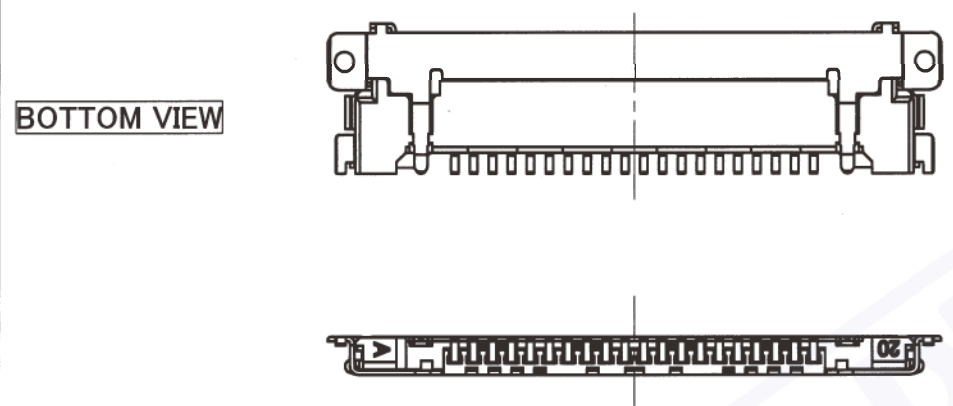
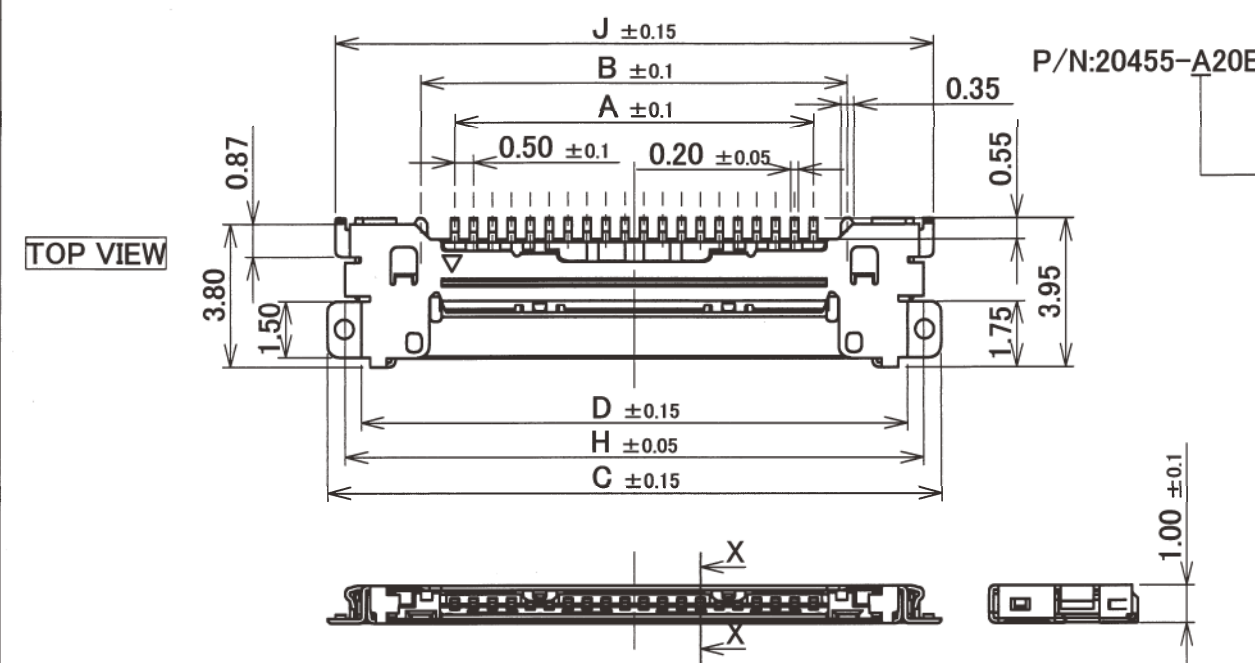
TITLE CABLINE-VS
 RECE ASS'Y TYPE-C

Confidential III C

QKE-DFE06-02 REV.6

| | | | | | | | | | | |
|-----------------|---------------|-------|-------|-------|-------|-------|-------|-------|-------|-------|
| Recommended P/N | 20455-A20E-76 | | | | | | | | | |
| PART NO. | A | B | C | D | E | F | G | H | J | K |
| 20455-A20E-*6 | 9.50 | 11.30 | 16.25 | 14.47 | 14.30 | 10.60 | 18.20 | 15.32 | 15.84 | 14.84 |

TYPE-A



- NOTES.
- MATERIAL & FINISH
HOUSING : HEAT RESISTING PLASTICS, UL94V-0, BLACK
CONTACT: COPPER ALLOY / PLATING : Au
SHELL : COPPER ALLOY / PLATING : Au
 - COPLANARITY : 0.1MAX.
 - IN CASE OF PLUG WITH PULL-BAR, THIS AREA CANNOT MOUNT ANOTHER COMPONENTS.
 - TO HANDLE THIS CONNECTOR YOU MUST READ AND FOLLOW THE INSTRUCTION MANUAL BELOW.
INSTRUCTION MANUAL No. : HIM-08004
 - RoHS Compliant
 - PRODUCT SPECIFICATION: No. PRS-1862
 - THIS PRODUCT IS HALOGEN FREE

| GENERAL TOLERANCE | |
|-------------------|------|
| 6 MAX. | ±0.2 |
| 6 OVER MAX. 30 | ±0.3 |
| 30 OVER MAX. 120 | ±0.5 |
| ANGLE | ±2° |

SERIES No. R7

CUSTOMER COPY PROJECTION

SCALE 5:1 UNIT mm

DWG. No. 20455 SHEET 2/2 REV. 4

I-PEX DAI-ICHI SEIKO CO.,LTD.
I-PEX Business Company

TITLE CABLINE-VS RECE ASS'Y TYPE-C