

Recommended P/N 50P : 2764-0501, OTHER THAN 50P : 2764-0**1-002

PART NO.	Pos.	A	B	C	D	E	F	G
◆2764-0101-0#2	10	9.40	3.88	6.66	-	-	24.50	30.00
2764-0121-0#2	12	10.20	4.68	7.46	-	-	24.50	30.00
2764-0201-0#2	20	13.40	7.88	10.66	2.50	5.00	20.50	25.00
2764-0301-0#2	30	17.40	11.88	14.66	3.00	9.00	24.50	30.00
2764-0401-0#2	40	21.40	15.88	18.66	3.25	13.00	28.50	30.00
2764-0501-###	50	25.40	19.88	22.66	3.40	17.00	32.50	35.00
2764-0601-0#2	60	29.40	23.88	26.66	4.00	20.00	36.50	40.00

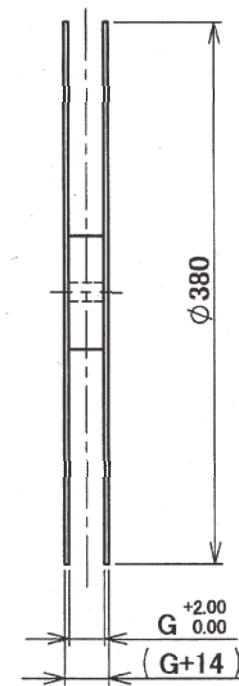
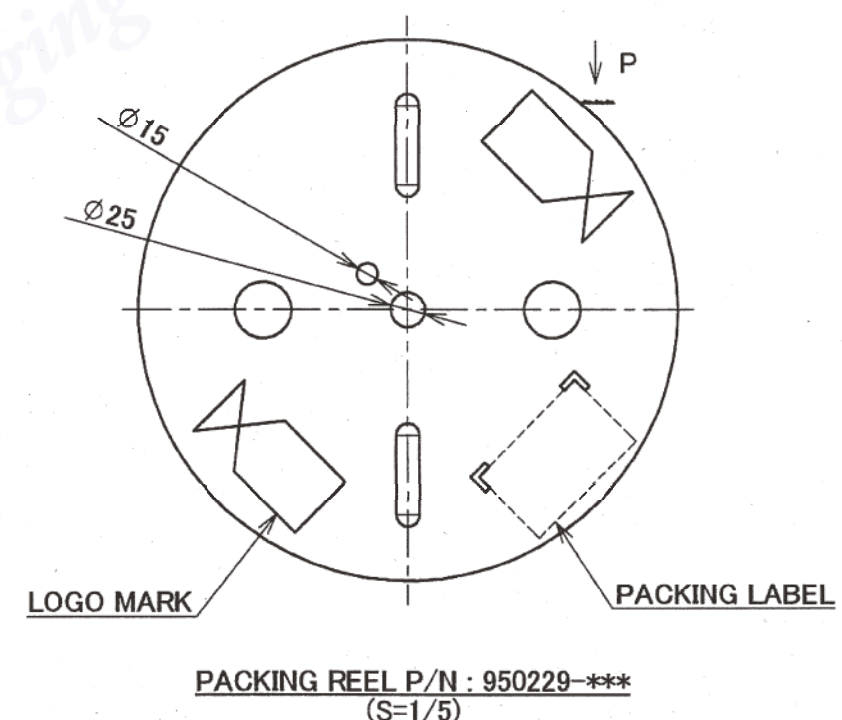
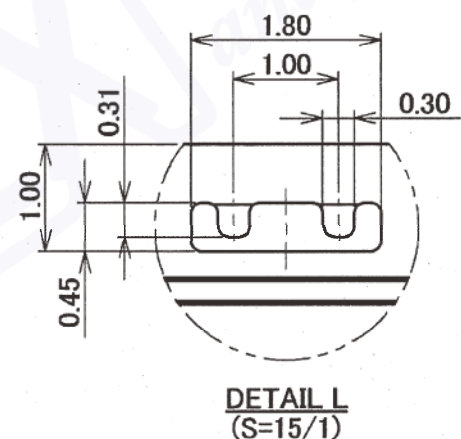
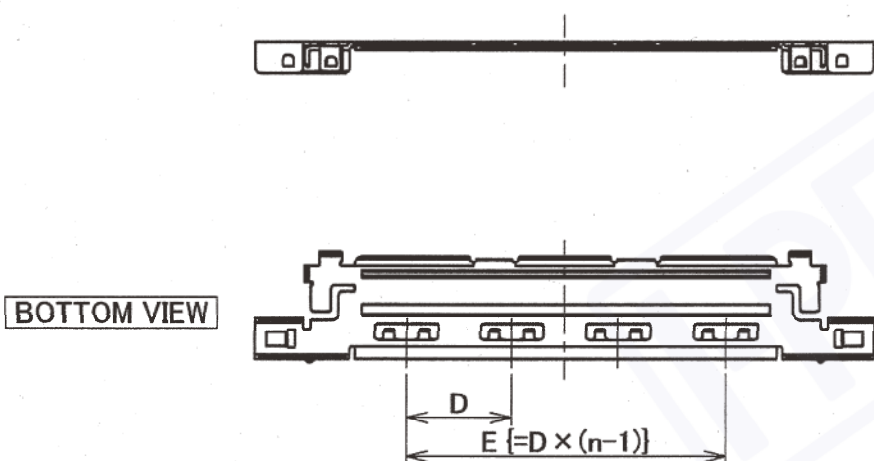
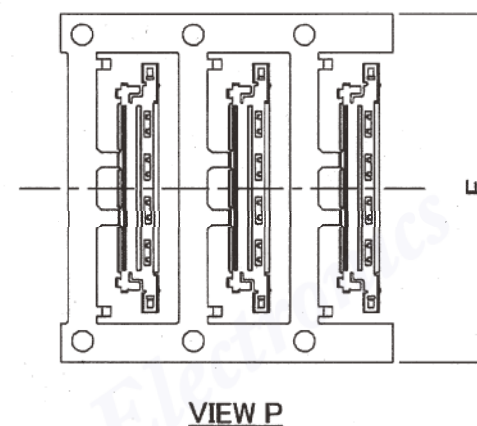
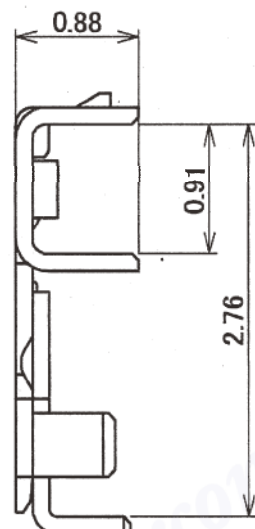
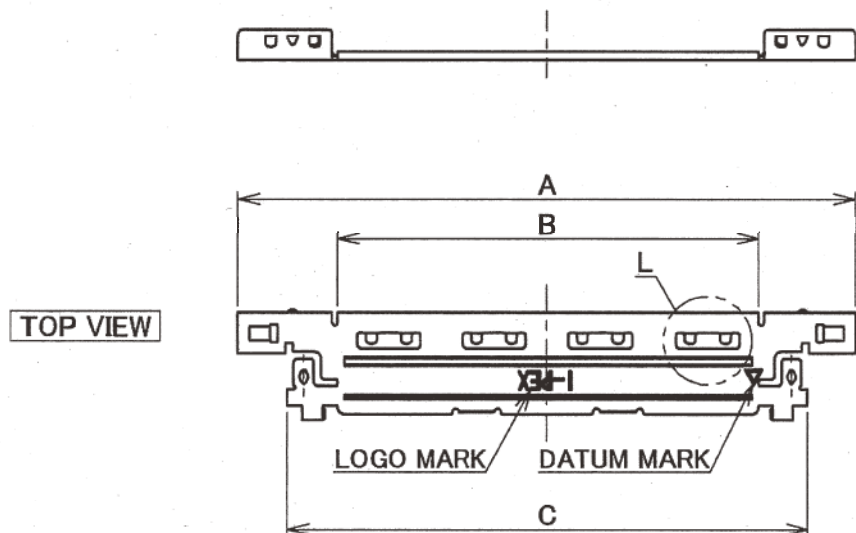
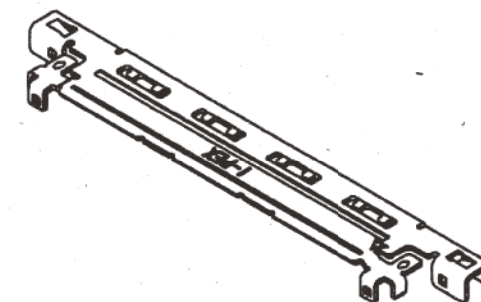
◆MARK MEANS NOT AVAILABLE.

P/N: 2764-0 ** 1 - # # #

WITHOUT : 50P Packing QTY. is 6000 in reel.
 -002 : OTHER THAN 50P Packing QTY. is 6000 in reel.
 -OM2 : Packing QTY. is 2000 in reel.

Pos.

TYPE-A



PACKING REEL P/N : 950229-***
(S=1/5)

GENERAL TOLERANCE	
6 MAX.	±0.2
6 OVER MAX. 30	±0.3
30 OVER MAX. 120	±0.5
ANGLE	±2°

NOTES.
 1. MATERIAL & FINISH
 COPPER ALLOY t=0.12
 PLATING : Au PLATING
 2. RoHS Compliant

I-PEX DAI-CHI SEIKO CO.,LTD.
 I-PEX Business Company

TITLE CABLINE-CA PLUG SHELL A
 TYPE-A

SERIES No.	R4	CUSTOMER COPY	PROJECTION	SCALE	UNIT	DWG. No.	SHEET	REV.
				5/1	mm	2764	1/1	5

Confidential III C

QKE-DFE06-02 REV.7