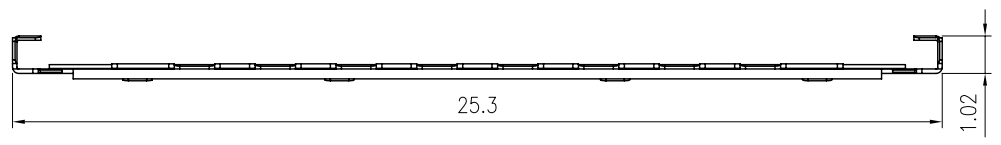
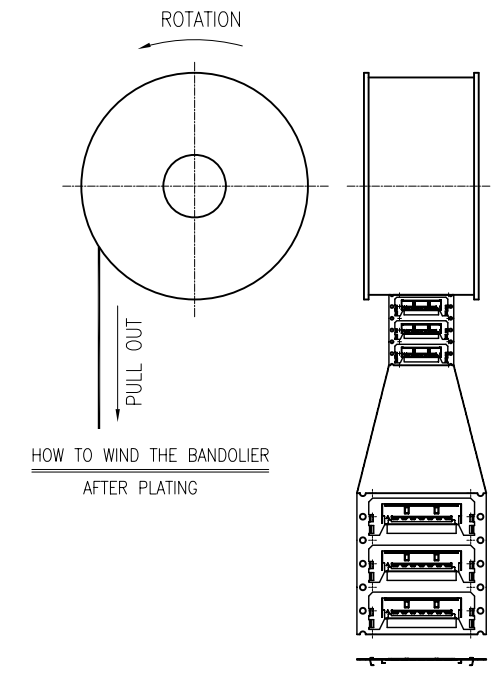
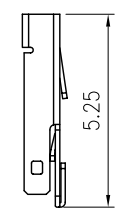
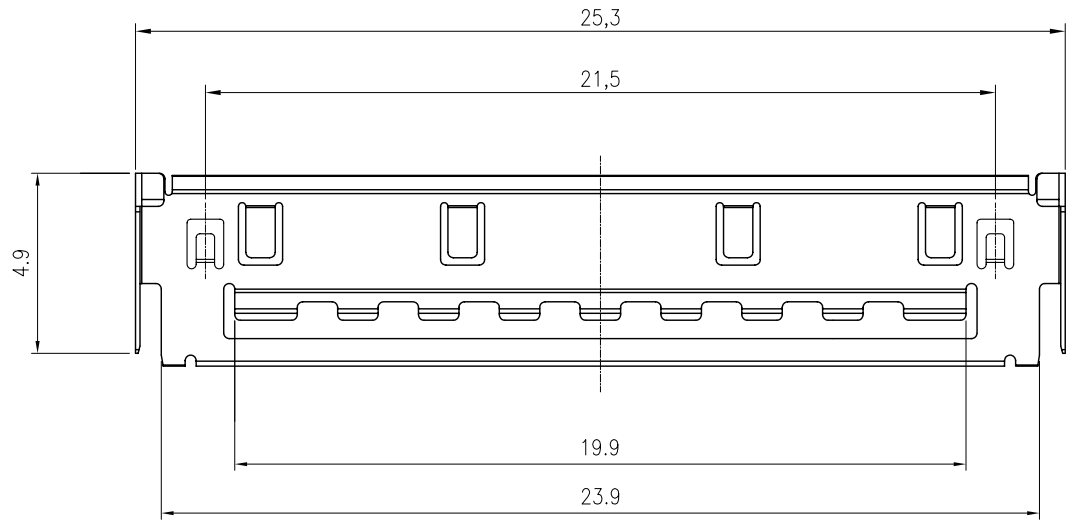


REV.	ECN. NO.	APPD.
C	120910001	Peter



NOTES:

- 1.MATERIAL: COPPER ALLOY,T=0.12mm
- 2.FINISH:
BRIGHT-TIN 60U" MIN OVER NICKEL 50U" MIN.

X.±	X'.±	UNITS mm	NAME(INTENDED USE)	Lewinsh 苏州联炜诚电子科技有限公司
.X± 0.20	.X'± 2'	MAT'L	SALES DRAWING	
.XX± 0.10	.XX'±1'	N/A	PART NO.(INTENDED USE)	TITLE: LVDS PLUG UP SHELL.
.XXX±	.XXX'±	FINISH	LV08140T172	0.5P 40CKT
THE GENERATED DRAWING IS BY ACAD, PROE OR IDEAS.DO NOT CHANGE BY HAND.			APPD: Peter Chen 9/7'12	DWG NO.: C-LV081-T02
			Q'TY	CHKD: Vincent 9/7'12
			DR: Kyo Wang 9/7'12	