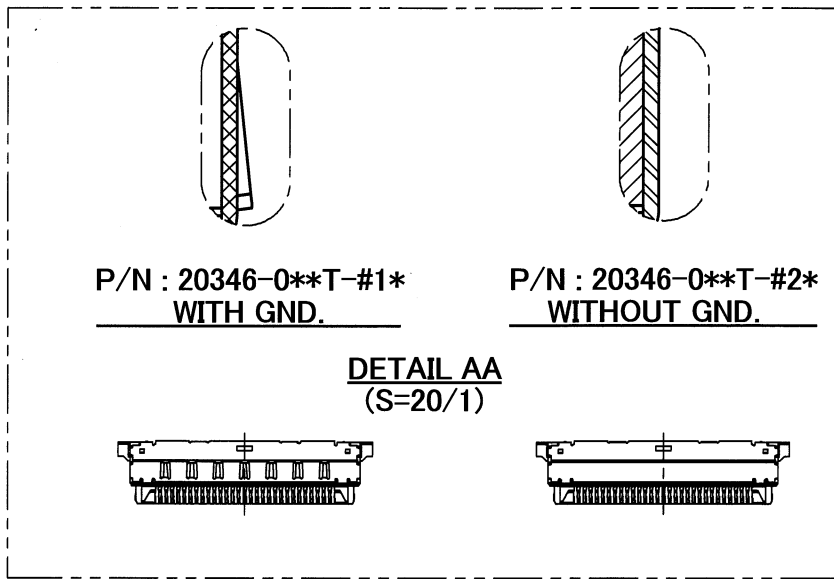


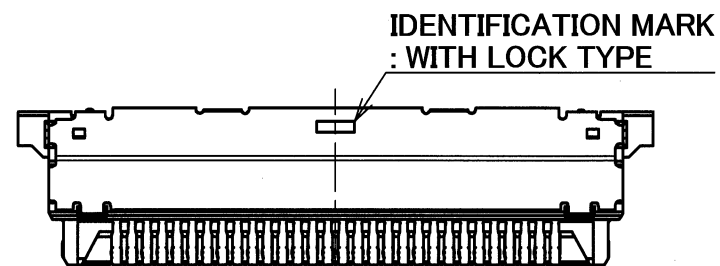
Recommended P/N 20346-0T-32R**

PART NO.	POS.	A	B	C	D	E	REMARK
20346-010T-##	10	3.6	6.4	7.2	8.8	5.1	Non Red Phosphorus Free
20346-010T-##R							Red Phosphorus Free
20346-015T-##	15	5.6	8.4	9.2	10.8	7.1	Non Red Phosphorus Free
20346-015T-##R							Red Phosphorus Free
20346-020T-##	20	7.6	10.4	11.2	12.8	9.1	Non Red Phosphorus Free
20346-020T-##R							Red Phosphorus Free
20346-025T-##	25	9.6	12.4	13.2	14.8	11.1	Non Red Phosphorus Free
20346-025T-##R							Red Phosphorus Free
20346-030T-##	30	11.6	14.4	15.2	16.8	13.1	Non Red Phosphorus Free
20346-030T-##R							Red Phosphorus Free
20346-035T-##	35	13.6	16.4	17.2	18.8	15.1	Non Red Phosphorus Free
20346-035T-##R							Red Phosphorus Free
20346-040T-##	40	15.6	18.4	19.2	20.8	17.1	Non Red Phosphorus Free
20346-040T-##R							Red Phosphorus Free

- NOTES**
- MATERIAL & FINISH**
 HOUSING : HEAT RESISTING PLASTICS(GF REINFORCED), UL94V-0, BLACK
 CONTACT : COPPER ALLOY Au PLATING
 SHELL B : COPPER ALLOY Sn-Cu or Sn PLATING
 - THIS PART IS ASSEMBLED WITH SHELL A(P/N 2047-###) AFTER SOLDERED THE COAXIAL CABLE, AND IT BECOMES P/N 20345-###T-##
 - PRODUCT SPECIFICATION NO. : PRS-1213
 - TO ASSEMBLE AND SOLDER THIS CONNECTOR, YOU MUST READ AND FOLLOW THE ASSEMBLY MANUAL BELOW. ASSEMBLY MANUAL NO.:ASM-03002
 - RoHS Compliant

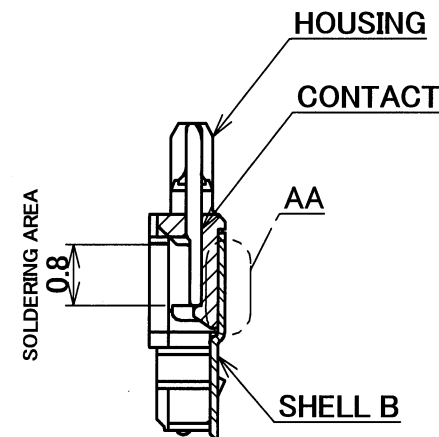
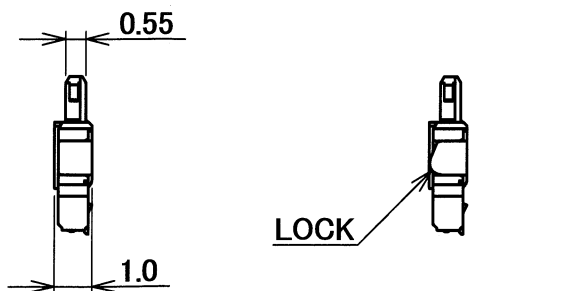
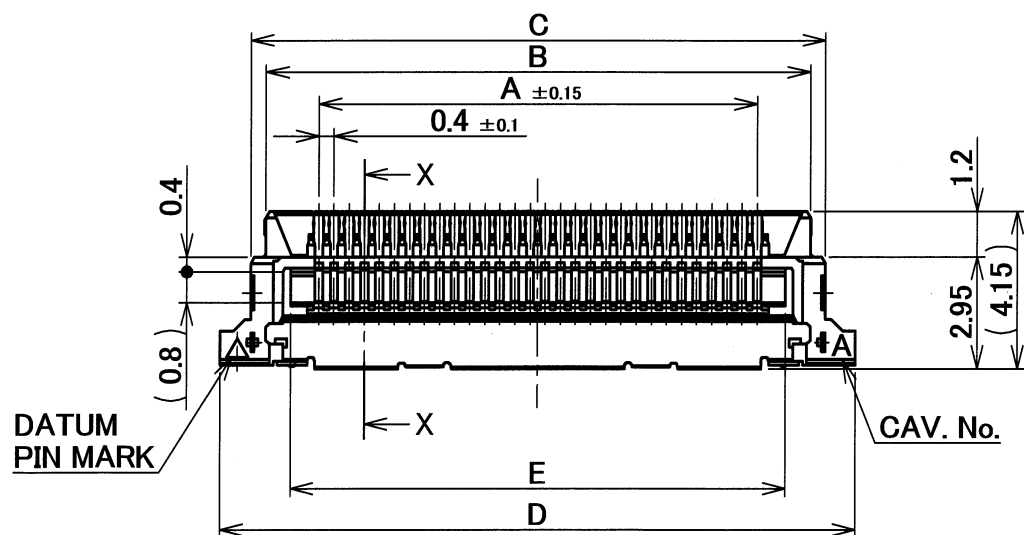


※EXAMPLE
 P/N : 20346-0**T-#1*...WITH GND. (DETAIL AA)
 P/N : 20346-0**T-#2*...WITHOUT GND. (DETAIL AA)



P/N : 20346-0**T-##R
 HOUSING MATERIAL TYPE
 WITHOUT MARK : Non Red Phosphorus Free
 R MARK : Red Phosphorus Free

	SHELL FINISH	LOCK
0	Sn-Cu	WITHOUT
1	Sn	
2	Sn-Cu	WITH
3	Sn	



GENERAL TOLERANCE	
6 MAX.	±0.2
6 OVER MAX. 30	±0.3
30 OVER MAX. 120	±0.5
ANGLE	±2°

18	Z150343	H.M.	Mar. 27. 15	T.K.	DESIGN'D BY	DATE
17	Z141092	H.M.	NOV/19/'14	E.K.	H.MASHIMA	MAR/07/03
16	Z13895	H.M.	OCT/10/'13	E.K.	CHK'D BY	DATE
15	Z12691	H.M.	AUG/10/12	T.H.	Y.H.	MAR/12/03
14	Z09198	H.M.	APR/13/09	T.H.	APP'D BY	DATE
REV	ECN	BY	DATE	APP	K.K.	MAR/13/03
REV.RECORD					CUSTOMER COPY	PROJECTION
SERIES No.		R10				



TITLE			
CABLIN V PLUG HOUSING ASS'Y			
SCALE	UNIT	DWG. No.	SHEET
5:1	mm	20346	1/1
			REV.
			18