

梱包規格 (Packing Standard)	Product name: CABLINE V CONN. PLUG SHELL A	CUSTOMER COPY
		No. 300-307

1. 製品名称 (NAME) : CABLINE V CONN. PLUG SHELL A
製品番号 (ITEM) : 2047-###

2. 梱包材料 (PACKING MATERIAL)




芯数 (POS.)	リール径 (DIAMETER)	リール幅 (REEL WIDTH)	リール P/N (REEL P/N)	外装カートン (PACKING CARTON)
10P	φ 380	39.0	950229-007	406×406×214 OUTER
15P				
20P				
25P		44.0	950229-001	
30P				
35P				
40P				

3. 梱包数量 (PACKING QTY.)


芯数 (POS.)	リール本数 (REEL QTY.)	入数 [リール 1 本あたり] (QTY. [1 REEL])	外装カートン入数 (QTY. IN PACKING CARTON)	
10P	4 本 (REELS)	2000	2000×4=8000	
15P				
20P				
25P	3 本 (REELS)		2000	2000×3=6000
30P				
35P				
40P				

梱包規格 (Packing Standard)	Product name: CABLINE V CONN. PLUG SHELL A	CUSTOMER COPY
		No. 300-307

4. 現品票 (LABEL)

20090909011300-00001		
P/N Q'TY LOT	① ② ③	CHECK ⑦
	NAME: ④ MADE IN <input style="width: 50px;" type="text"/> ⑤	REMARK <div style="text-align: center;">   </div>

DAI-ICHI SEIKO CO.,LTD.



HF

①... Part number : Ex. 2047-0301

②... QTY.

③... Products lot No. :

It is constituted from ten figures. (See below.)

 NN NN NN NNNN
 A B C D

A : Last two figures of the Christian era (two figures)

B : Month (two figures)

C : Day (two figures)

D : It is cord number that Dai-ichi Seiko uses. (four figures)

Example : 091120J010

It means that the Product was manufactured on Nov./20/2009

④... Item : Ex. CABLINE V CONN. PLUG SHELL A

⑤... Production country

⑥... QR code

⑦... Check stamp

梱包規格 (Packing Standard)	Product name: CABLIN V CONN. PLUG SHELL A	CUSTOMER COPY
		No. 300-307

5. 梱包形態 (PACKING STYLE)

5-1. リールへの梱包 (PACKING OF REEL)

- (1) シェルのリールへの巻き方向は、図 1 に従う事。
- (2) 巻き数は、2000 個 / リールの事。

- (1) Coiling of shell to reel follow as shown Fig.1.
- (2) Coiling QTY. is 2000 in reel.

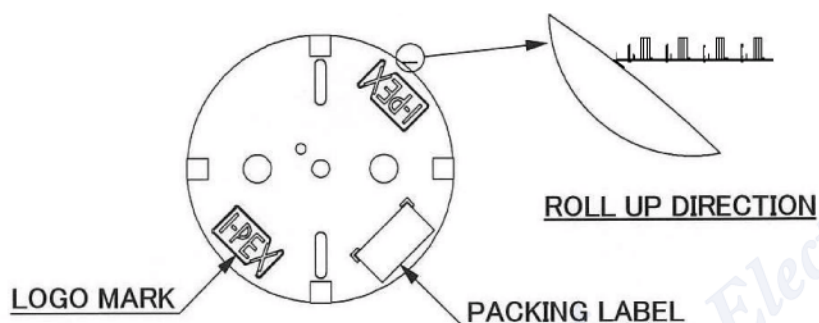


図 1.(Fig.1)

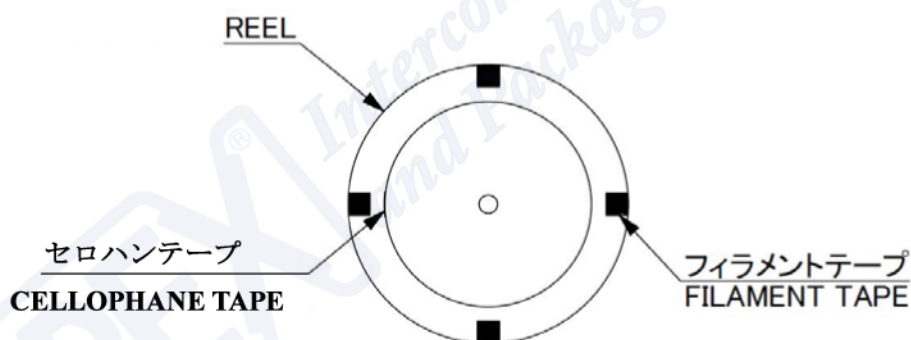


図 2.(Fig.2)

梱包規格 (Packing Standard)	Product name: CABLINEV CONN. PLUG SHELL A	CUSTOMER COPY
		No. 300-307

5-2. 外装カートンへの梱包 (Packing of P CARTON)

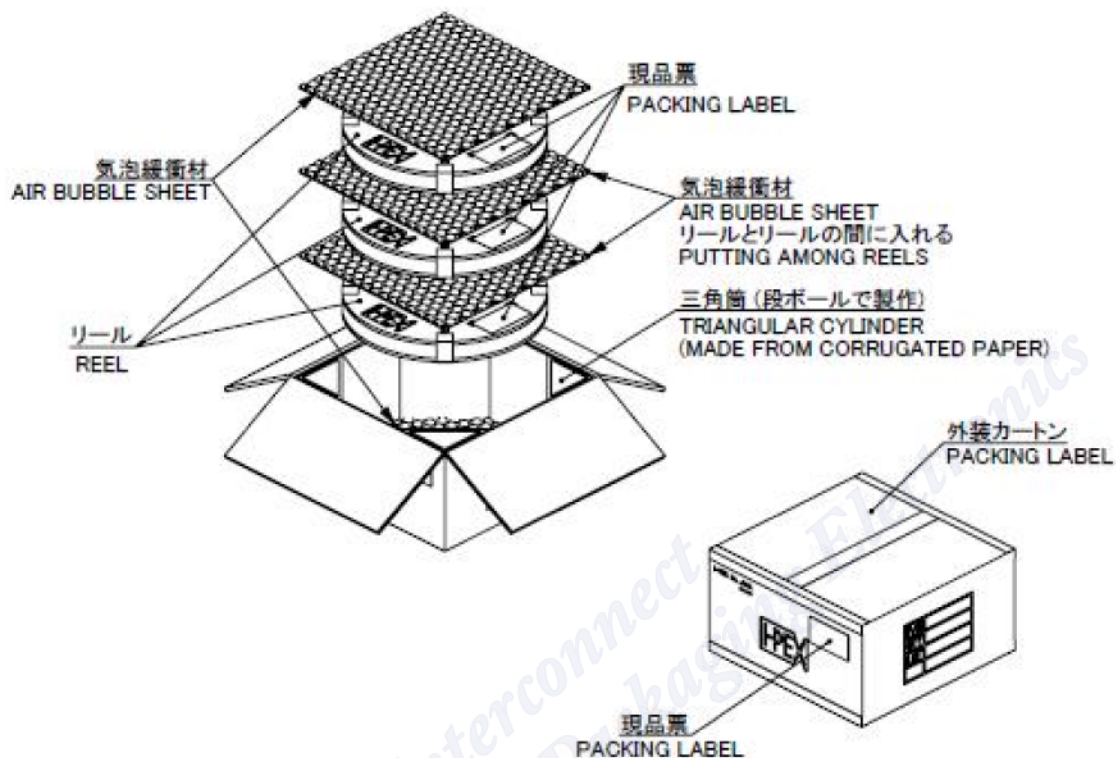


図 3(Fig.3)