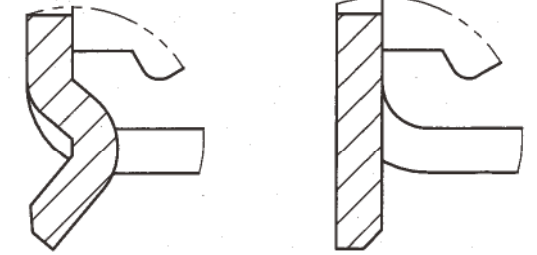


Recommended P/N 2182-0**-03 2182-0**-04 (40P / 50P)

PART NO.	POS	A	B	C
2182-010-03*	10	7.84		24.5
2182-014-0**	14	9.44		24.5
2182-020-0**	20	11.84		24.5
2182-030-0**	30	15.84	8.9	28.5
2182-032-0**	32	16.64	9.7	29.3
2182-035-0**	35	17.84	10.9	30.5
2182-040-0**	40	19.84	12.9	32.5
2182-050-0**	50	23.84	16.9	36.5

THE COMPOSITION OF PART No.
PART No. 2182-0**-0**

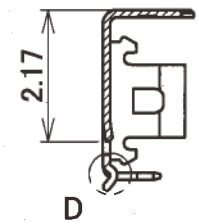
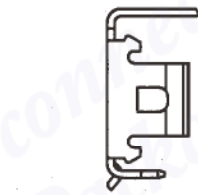
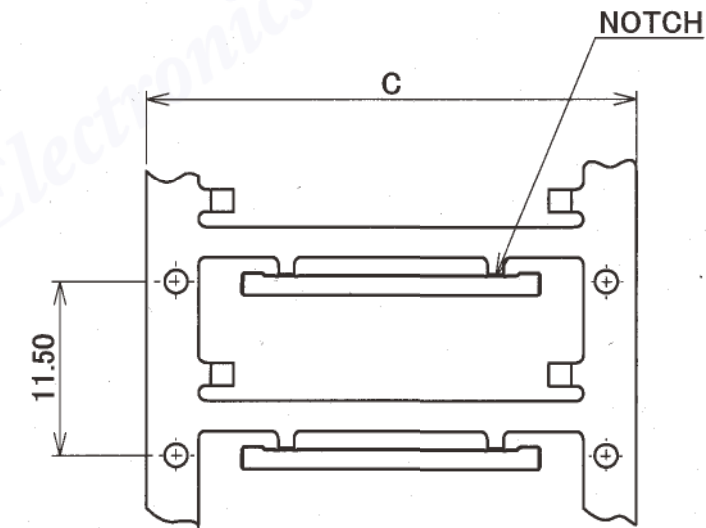
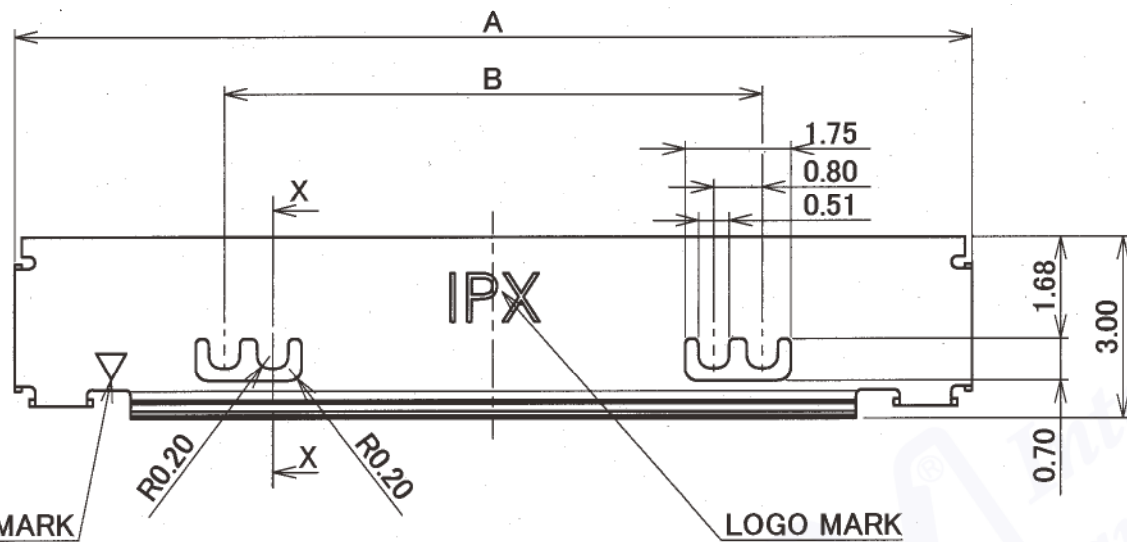
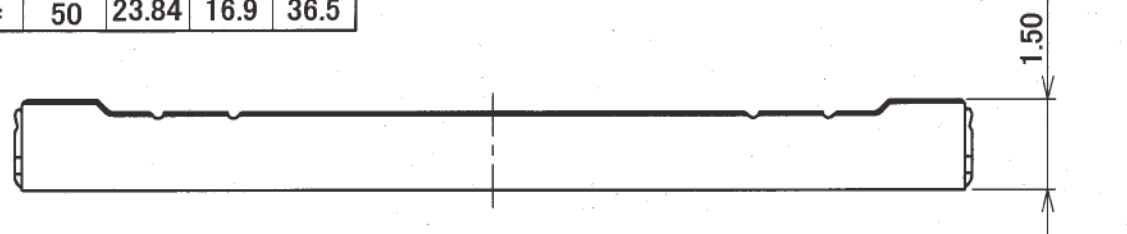
- NOTHING: Minimum order quantity is 4000pcs.
S: Minimum order quantity is 480pcs.
(2182-0**-03 ONLY)
- 0: Sn PLATING
- 2: Au OVER Ni (35P/40P ONLY)
- 3: Sn PLATING(FOR AWG #34,#36,#40)
- 4: Sn PLATING,FOUR SOLDER AREAS(40P/50P ONLY)



Other 2182-0**-03* (FOR AWG #34,#36,#40)

- Pos.
- 10 : 10P 14 : 14P 20 : 20P 30 : 30P
 - 32 : 32P 35 : 35P 40 : 40P 50 : 50P

DETAIL D (S=50/1)



SECT. X-X



WITH CAREER(S=2/1)

NOTES.
1.MATERIAL & FINISH
COPPER ALLOY, Sn PLATING OR Au OVER Ni.



Shape of 10P/14P/20P (S=4/1)

GENERAL TOLERANCE	
6 MAX.	±0.2
6 OVER MAX. 30	±0.3
30 OVER MAX. 120	±0.5
ANGLE	±2°

I-PEX DAI-ICHI SEIKO CO.,LTD.
I-PEX Business Company

TITLE		SCALE		UNIT		DWG. No.		SHEET		REV.	
CABLINE-SS METAL COVER		8:1		mm		2182		1/2		14	

SERIES No. R3

CUSTOMER COPY



SCALE 8:1 UNIT mm

DWG. No. 2182

SHEET 1/2 REV. 14

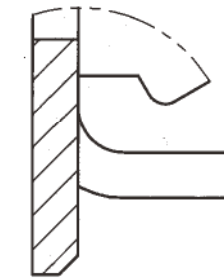
Recommended P/N 2182-0**-03 2182-0**-04 (40P / 50P)

PART NO.	POS	A	B	C	D
2182-040-04	40	19.84	12.9	32.5	4.84
2182-050-04	50	23.84	16.9	36.5	6.17

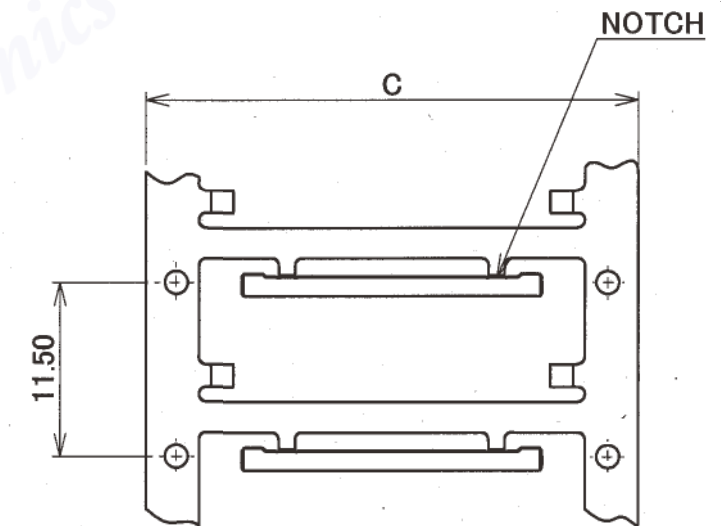
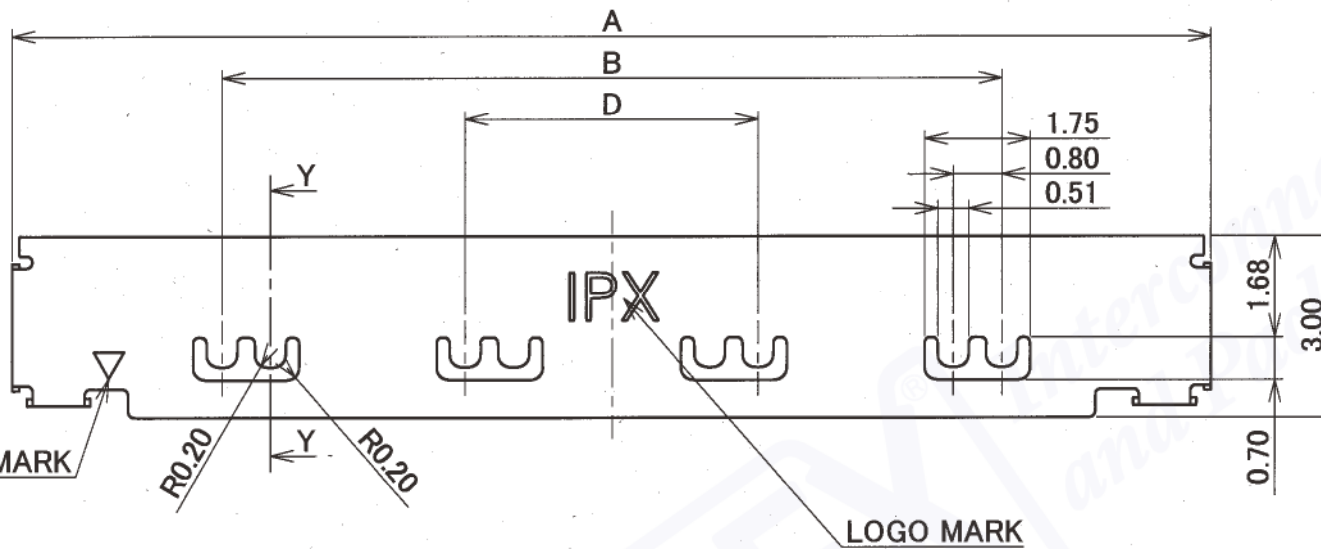
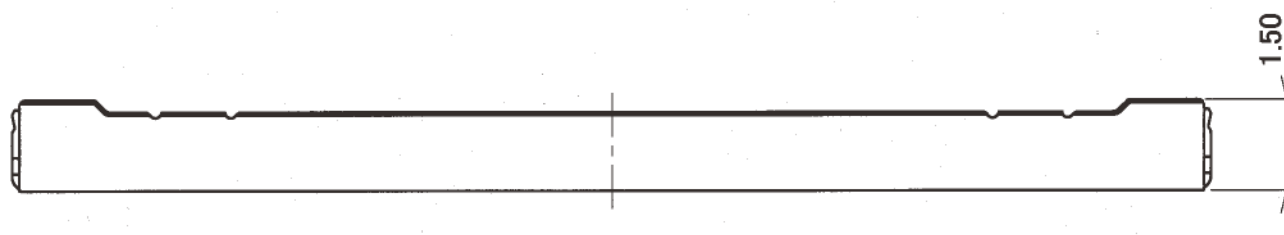
THE COMPOSITION OF PART No.
PART No. 2182-0**-04

4: Sn PLATING, FOUR SOLDER AREAS (40P/50P ONLY)

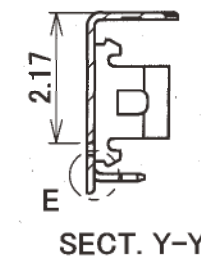
Pos.
40 : 40P 50 : 50P



DETAIL E (S=50/1)



WITH CAREER (S=2/1)



NOTES.
1. MATERIAL & FINISH
COPPER ALLOY, Sn PLATING.

GENERAL TOLERANCE	
6 MAX.	±0.2
6 OVER MAX. 30	±0.3
30 OVER MAX. 120	±0.5
ANGLE	±2°

I-PEX DAI-ICHI SEIKO CO., LTD.
I-PEX Business Company

TITLE
CABLIN-SS
METAL COVER

CUSTOMER COPY	PROJECTION	SCALE	UNIT	DWG. No.	SHEET	REV.
		8:1	mm	2182	2/2	14