

CABLIN[®]-SS

0.4mm Pitch Right Angle Stacking Type



- Super Slim Micro Coax Connector going through small hinge hole after cabling
- Connector Width : 3.0mm,
Mating Height : 1.85mm (MAX.)
- W-Point Contact with High mating reliability
- Soldering connection

【Number of Position】

10p, 14p, 20p, 30p,
32p, 35p, 40p, 50p

【Applicable Cable Size】

Micro Coax	AWG #42 , AWG #40 , AWG #36
DISCRETE	AWG #36 , AWG #34

【Ordering Code】

PLUG Connector Set (for Cable)
Parts Ordering (HOUSING)

20373- R ** T- 06

① ②

20373- R ** T- 06-S

① ②

※ Packaging
Quantity 480pcs

Parts Ordering (METAL COVER)

2182-0 ** - **

① ③

2182-0 ** - 03 -S

① ④

※ Packaging
Quantity 480pcs

RECEPTACLE Connector Set (for PC Board)

20374- R ** E- 31

① ②

20374- R ** E- 31-S

① ②

※ Packaging
Quantity 500pcs

①	POS.	10 :10pos. 14 :14pos. 20 :20pos. 30 :30pos. 32 :32pos. 35 :35pos. 40 :40pos. 50 :50pos.			
②	Packaging	T	Tray		
③	-	03	10pos. 14pos. 20pos. 30pos. 32pos. 35pos.		
		04	40pos. 50pos.		
④	-	03	10pos. 14pos. 20pos. 30pos. 32pos. 35pos. 40pos. 50pos.		

①	POS.	10 :10pos. 14 :14pos. 20 :20pos. 30 :30pos. 32 :32pos. 35 :35pos. 40 :40pos. 50 :50pos.			
②	Packaging	E	Emboss Tape		

Note : Please inquire for available pin counts.
The P/N is limited pin count only.

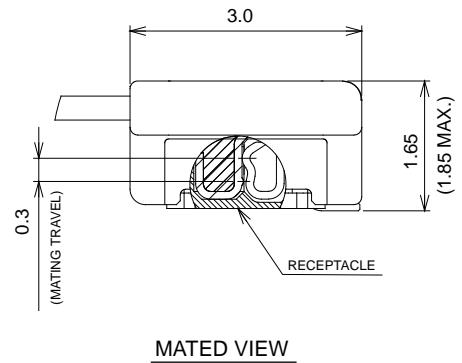
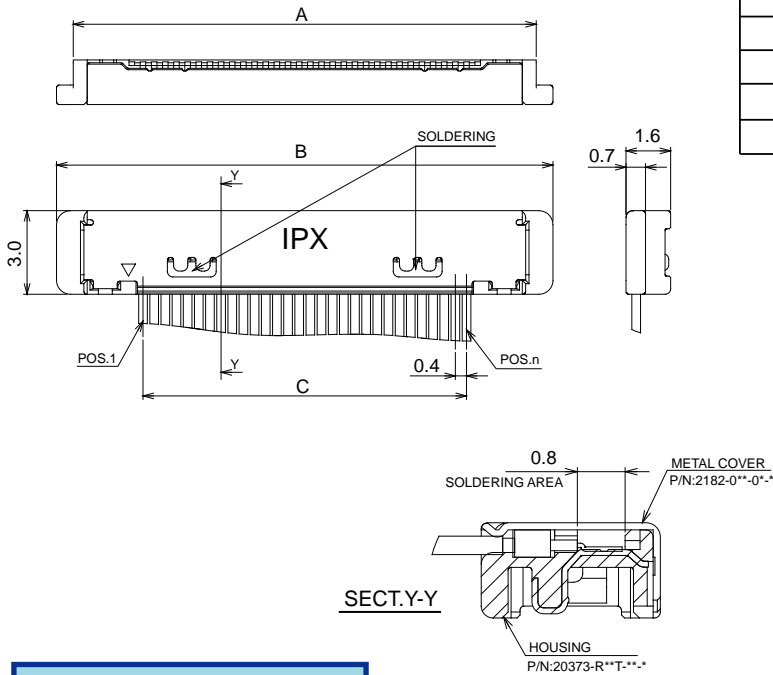
【Recommended P/N】

POS.	HOUSING	Metal Cover	PLUG Connector Set	RECEPTACLE
10	20373-R10T-06	2182-010-03	20380-R10T-06	20374-R10E-31
14	20373-R14T-06	2182-014-03	20380-R14T-06	20374-R14E-31
20	20373-R20T-06	2182-020-03	20380-R20T-06	20374-R20E-31
30	20373-R30T-06	2182-030-03	20380-R30T-06	20374-R30E-31
32	20373-R32T-06	2182-032-03	20380-R32T-06	20374-R32E-31
35	20373-R35T-06	2182-035-03	20380-R35T-06	20374-R35E-31
40	20373-R40T-06	2182-040-04	20380-R40T-16	20374-R40E-31
50	20373-R50T-06	2182-050-04	20380-R50T-16	20374-R50E-31

PLUG

Set P/N: 20380-R**T-06-*

POS.	PART NO.	A	B	C
10p	20380-R10T-06-*	8.6	9.8	3.6
14p	20380-R14T-06-*	10.2	11.4	5.2
20p	20380-R20T-06-*	12.6	13.8	7.6
30p	20380-R30T-06-*	16.6	17.8	11.6
32p	20380-R32T-06-*	17.4	18.6	12.4
35p	20380-R35T-06-*	18.6	19.8	13.6
40p	20380-R40T-16-*	20.6	21.8	15.6
50p	20380-R50T-16-*	24.6	25.8	19.6



RECEPTACLE

POS.	PART NO.	A	B	C	D	E
10p	20374-R10E-31-*	3.6	7.6	9.6	7.2	5.5
14p	20374-R14E-31-*	5.2	9.2	11.2	8.8	5.5
20p	20374-R20E-31-*	7.6	11.6	13.6	11.2	8.0
30p	20374-R30E-31-*	11.6	15.6	17.6	15.2	8.0
32p	20374-R32E-31-*	12.4	16.4	18.4	16.0	8.0
35p	20374-R35E-31-*	13.6	17.6	19.6	17.2	8.0
40p	20374-R40E-31-*	15.6	19.6	21.6	19.2	8.0
50p	20374-R50E-31-*	19.6	23.6	25.6	23.2	8.0

