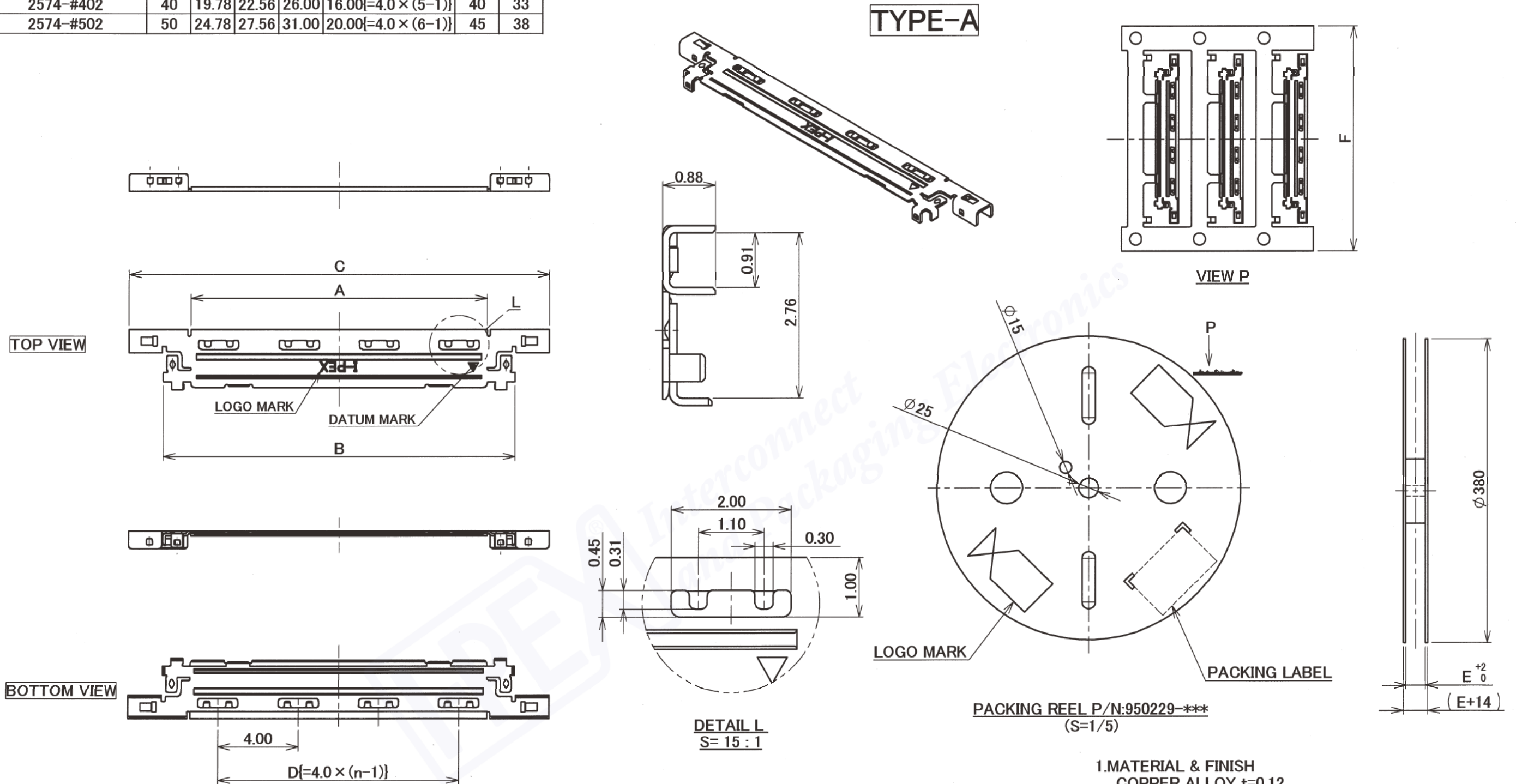


Recommended P/N 2574-12**

PART NO.	Pos.	A	B	C	D	E	F
2574-#202	20	9.78	12.56	16.00	8.00[=4.0 × (3-1)]	30	23
2574-#302	30	14.78	17.56	21.00	12.00[=4.0 × (4-1)]	35	28
2574-#402	40	19.78	22.56	26.00	16.00[=4.0 × (5-1)]	40	33
2574-#502	50	24.78	27.56	31.00	20.00[=4.0 × (6-1)]	45	38



PATENT REGISTERED

- 1. MATERIAL & FINISH
COPPER ALLOY t=0.12
FINISH : Au OVER Ni
- 2. RoHS Compliant

P/N: 2574-#**2

- TYPE-A
- Pos.
- 0: WITH DATUM MARK
- 1: WITHOUT DATUM MARK

GENERAL TOLERANCE	
6 MAX.	±0.2
6 OVER MAX. 30	±0.3
30 OVER MAX. 120	±0.5
ANGLE	±2°

I-PEX DAI-ICHI SEIKO CO., LTD.
I-PEX Business Company

TITLE	CABLIN-VS PLUG SHELL-A TYPE-A		
CUSTOMER COPY	PROJECTION	SCALE	UNIT
SERIES No. R3		5:1	mm
DWG. No. 2574	SHEET 1/1	REV. 1	