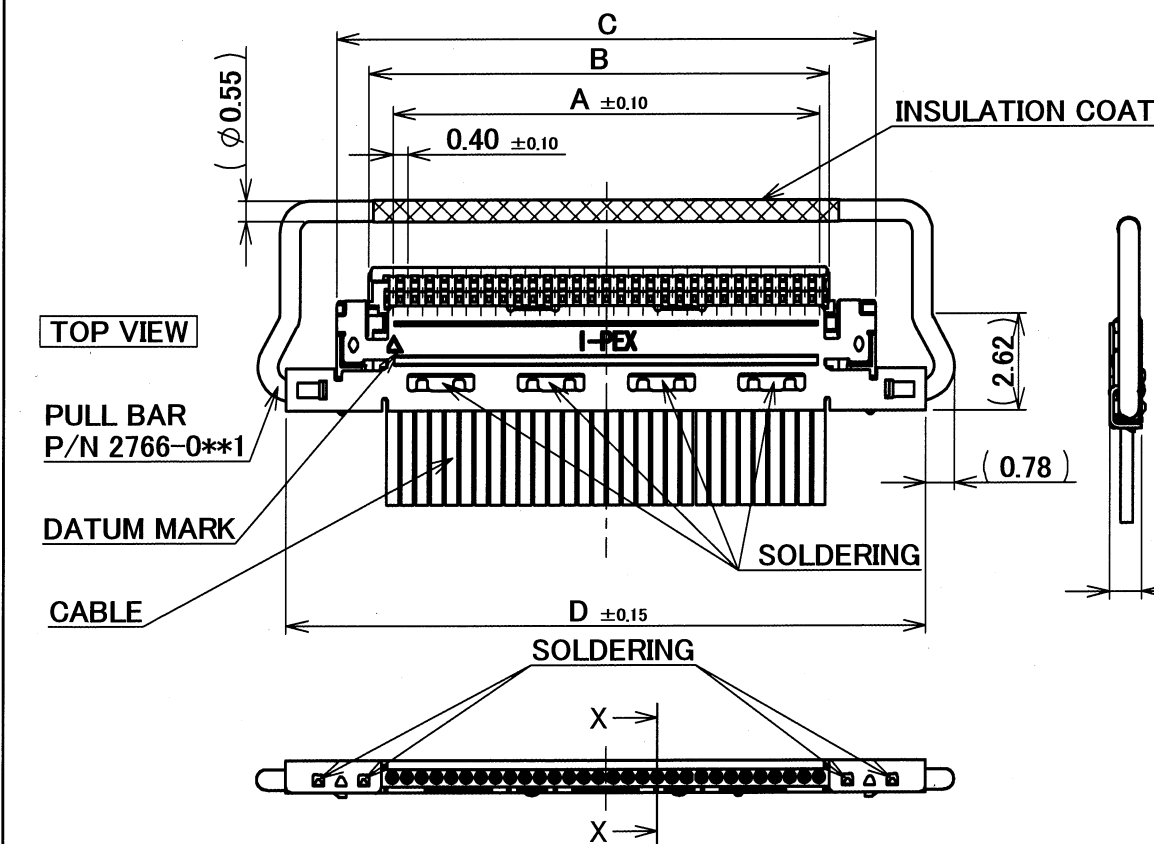
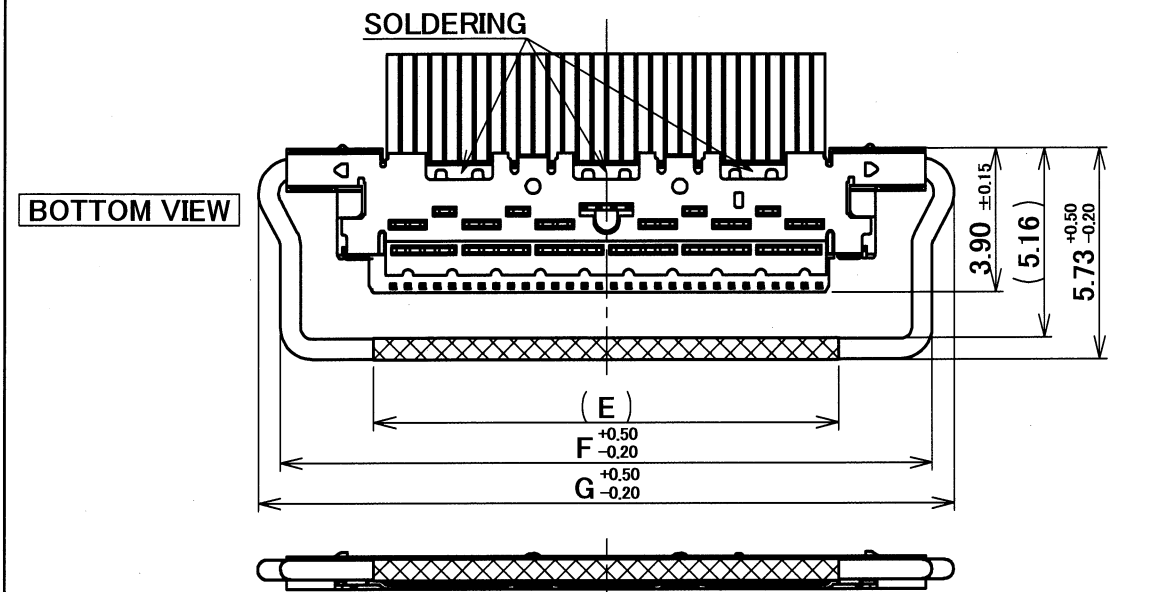


PART NO.	A	B	C	D	E	F	G
20652-020T-01	7.60	8.51	10.66	13.40	8.65	13.75	14.95
◆20652-030T-01	11.60	12.51	14.66	17.40	12.65	17.75	18.95
◆20652-040T-01	15.60	16.51	18.66	21.40	16.65	21.75	22.95
◆20652-050T-01	19.60	20.51	22.66	25.40	20.65	25.75	26.95
20652-060T-01	23.60	24.51	26.66	29.40	24.65	29.75	30.95

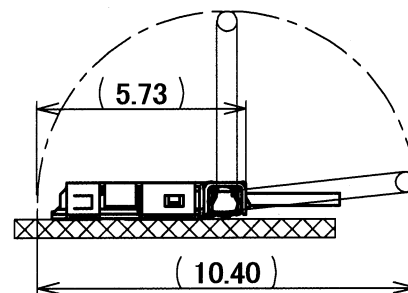
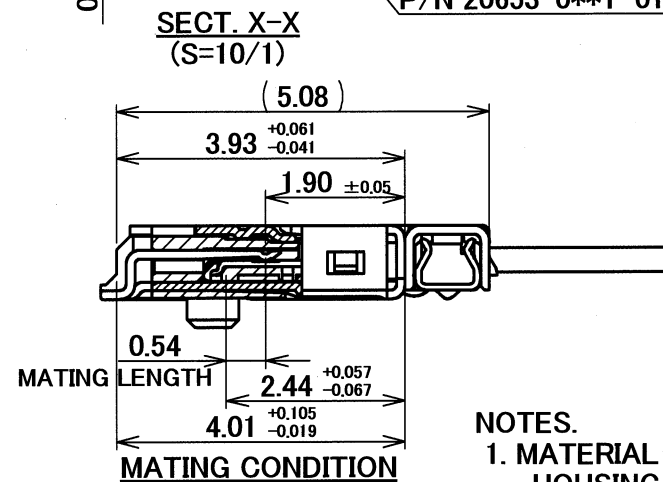
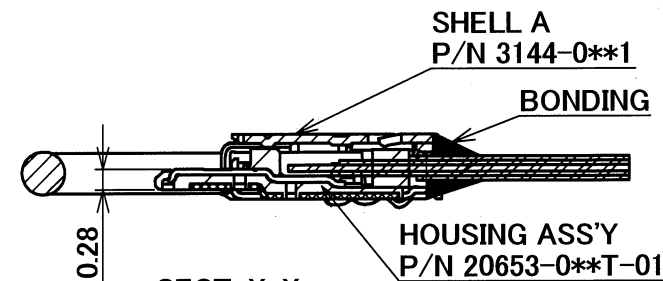
◆MARK MEANS NOT AVAILABLE



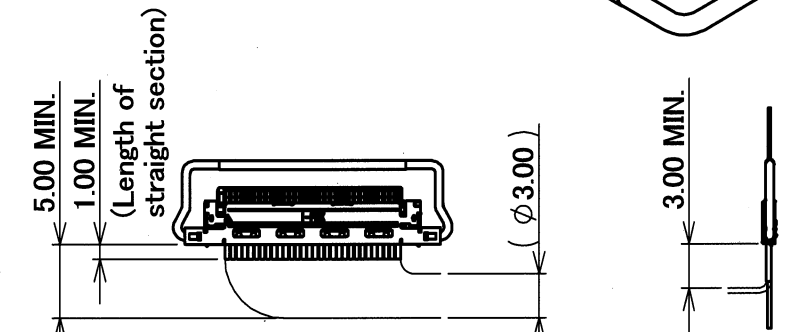
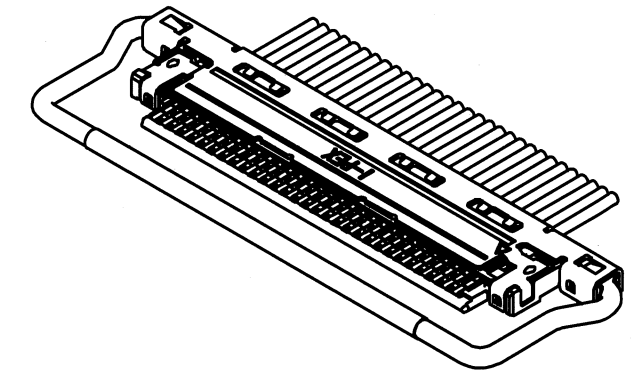
GENERAL TOLERANCE	
6 MAX.	±0.2
6 OVER MAX. 30	±0.3
30 OVER MAX. 120	±0.5
ANGLE	±2°

P/N 20652-0**T-01

Pos.



WITH PULL BAR



RECOMMENDED CABLE BENDING DIMENSIONS

NOTES.

- MATERIAL & FINISH
HOUSING : HEAT RESISTING PLASTICS(GLASS REINFORCED), UL94V-0, BEIGE
CONTACT : COPPER ALLOY / Au PLATING
SHELL A : COPPER ALLOY / Au PLATING
SHELL B : COPPER ALLOY / Au PLATING
PULL BAR : SUS (INSULATION COAT)
- PRODUCT SPECIFICATION : No. PRS-2050
- RECOMMENDED CABLE
SGC : AWG#36, 38,40, 42, 44 (#36 : POWER ONLY)
TWINCOAX : AWG#40
DISCRETE : AWG#34,36
- TO HANDLE THIS CONNECTOR, YOU MUST READ AND FOLLOW THE INSTRUCTION MANUAL BELOW.
INSTRUCTION MANUAL : No. HIM-14030
- TO ASSEMBLE AND SOLDER THIS CONNECTOR, YOU MUST READ AND FOLLOW THE ASSEMBLY MANUAL BELOW.
ASSEMBLY MANUAL : No. ASM-14002
- RoHS Compliant

For LCFC

REV	ECN	BY	DATE	APP	DESIGN'D BY	DATE
4	Z150261	S.A	Mar./11/15	EK	S.Adachi	Dec./24/'14
3	Z150191	S.A	Feb./19/'15	E.K		
2	Z150149	S.A	Feb./11/'15	E.K		
1	Z150070	S.A	Jan./21/'15	E.K	J.Tateishi	Dec./26/'14
0	Z141477	S.A	Dec./24/'14			
REV	ECN	BY	DATE	APP	APP'D BY	DATE
					E.kawabe	Dec./26/'14
REV.RECORD					CUSTOMER COPY	PROJECTION
SERIES No.						

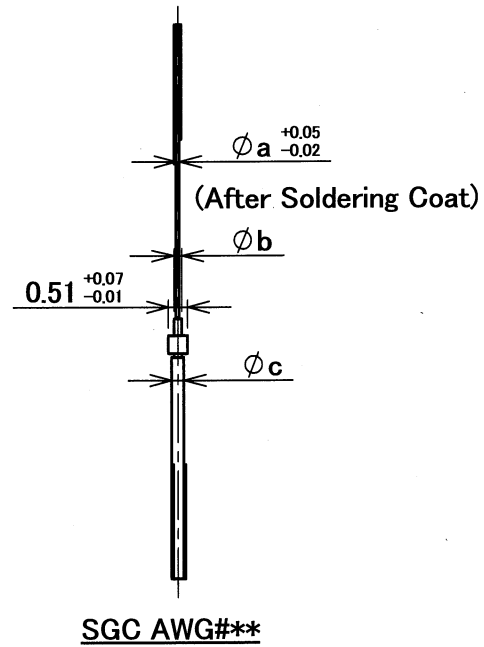
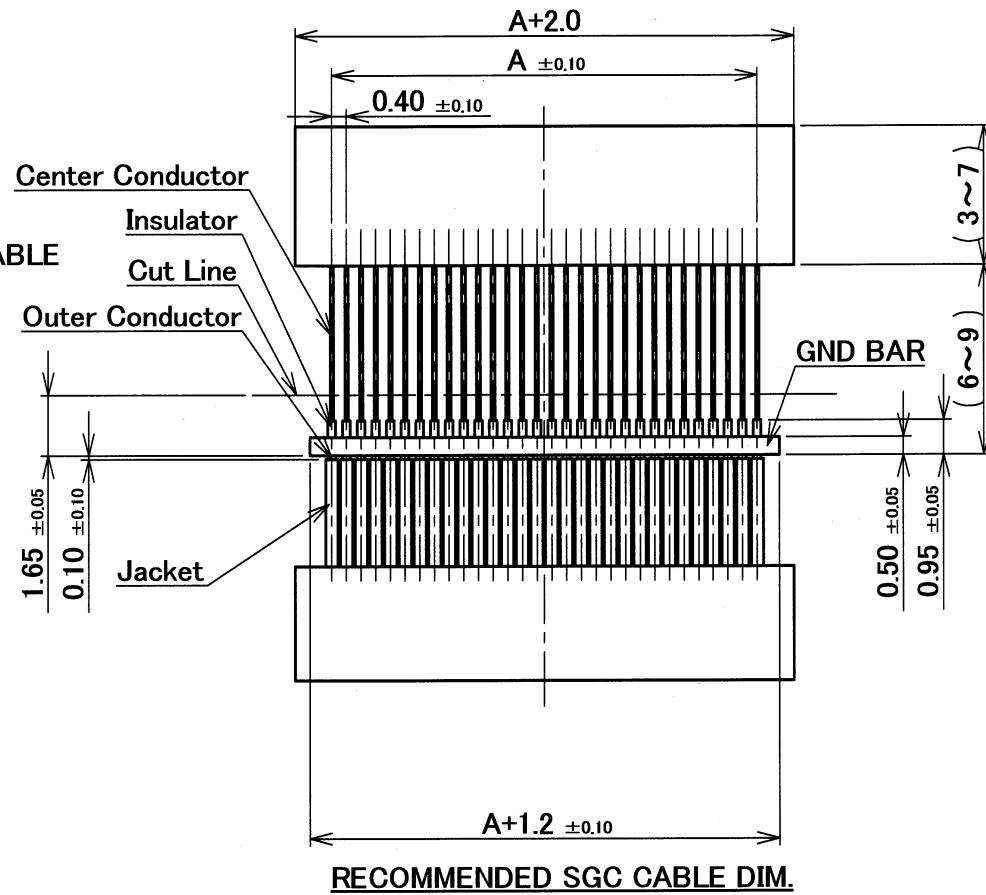
I-PEX DAI-ICHI SEIKO CO.,LTD.
I-PEX Business Company

TITLE
CABLNE-CL
PLUG for CABLE ASSEMBLY

SCALE	UNIT	DWG. No.	SHEET	REV.
5/1	mm	20652	1/2	4

PART NO.	A
20652-020T-01	7.60
◆20652-030T-01	11.60
◆20652-040T-01	15.60
◆20652-050T-01	19.60
20652-060T-01	23.60

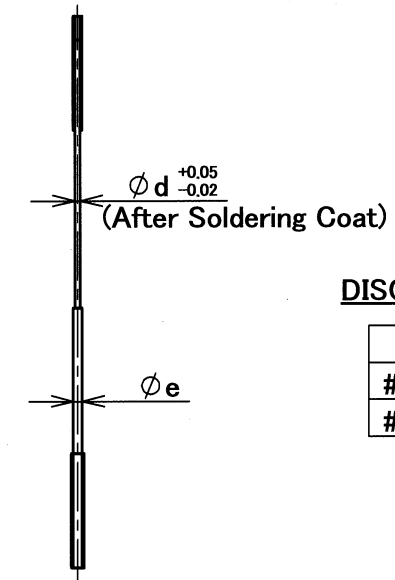
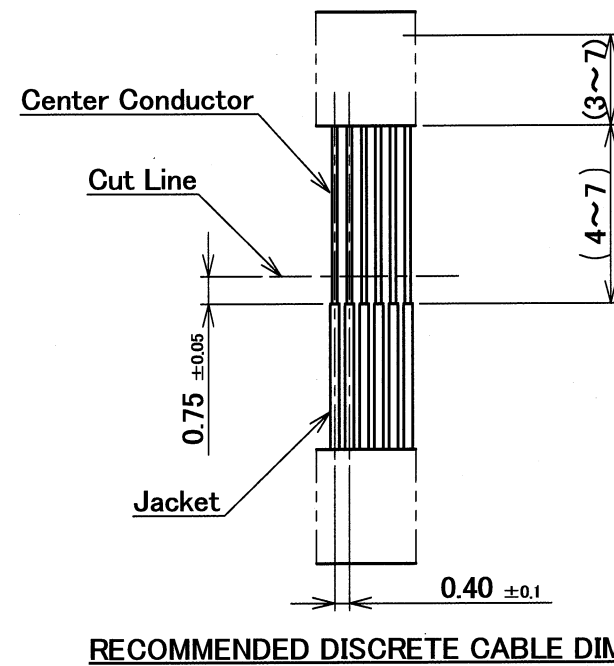
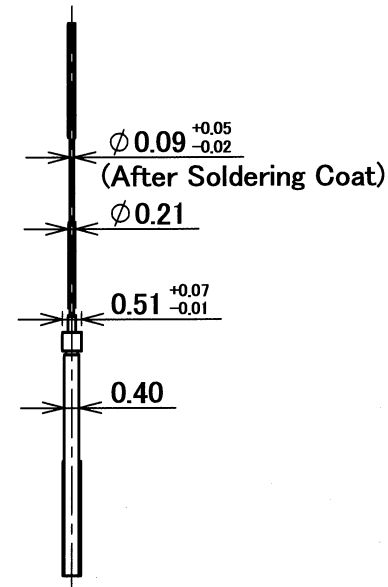
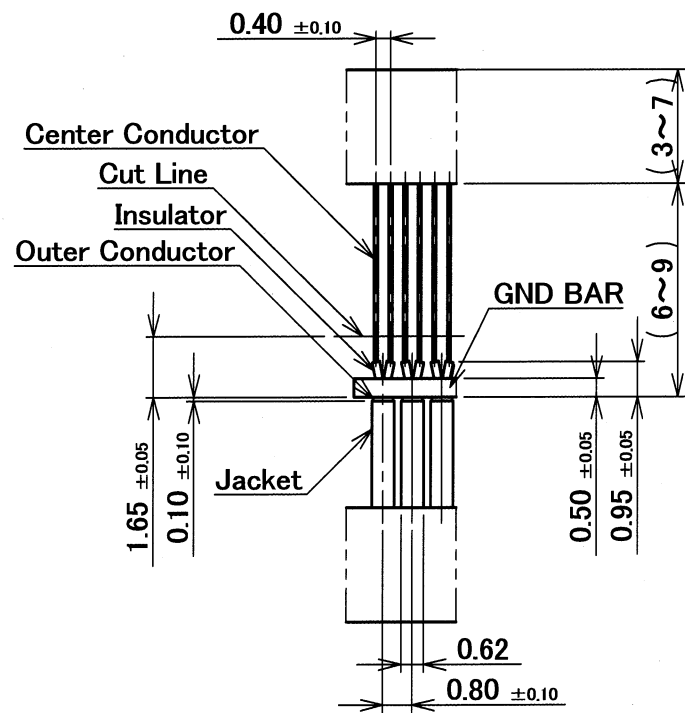
◆MARK MEANS NOT AVAILABLE



SGC DIMENSION

	a	b	c
#36	0.15	0.29	0.39
#38	0.12	0.285	0.39
#40	0.09	0.21	0.33
#42	0.075	0.20	0.28
#44	0.063	0.18	0.26

SGC #36 : POWER ONLY



DISCRETE DIMENSION

	d	e
#34	0.192	0.32
#36	0.15	0.25

GENERAL TOLERANCE	
6 MAX.	±0.2
6 OVER MAX. 30	±0.3
30 OVER MAX. 120	±0.5
ANGLE	±2°

					For LCFC		I-PEX DAI-ICHI SEIKO CO.,LTD. I-PEX Business Company																
<table border="1" style="width: 100%;"> <tr> <td>DESIGN'D BY</td> <td>DATE</td> </tr> <tr> <td>CHK'D BY</td> <td>DATE</td> </tr> <tr> <td>APP'D BY</td> <td>DATE</td> </tr> </table>					DESIGN'D BY	DATE	CHK'D BY	DATE	APP'D BY	DATE	TITLE CABLIN-CL PLUG for CABLE ASSEMBLY		SCALE UNIT DWG. No. 5/1 mm 20652		SHEET REV. 2/2 4								
					DESIGN'D BY	DATE																	
					CHK'D BY	DATE																	
APP'D BY	DATE																						
<table border="1" style="width: 100%;"> <tr> <th>REV</th> <th>ECN</th> <th>BY</th> <th>DATE</th> <th>APP</th> </tr> <tr> <td colspan="5" style="text-align: center;">REV.RECORD</td> </tr> <tr> <td colspan="5">SERIES No.</td> </tr> </table>					REV	ECN	BY	DATE	APP	REV.RECORD					SERIES No.					CUSTOMER COPY			
REV	ECN	BY	DATE	APP																			
REV.RECORD																							
SERIES No.																							
					PROJECTION																		

Confidential III B