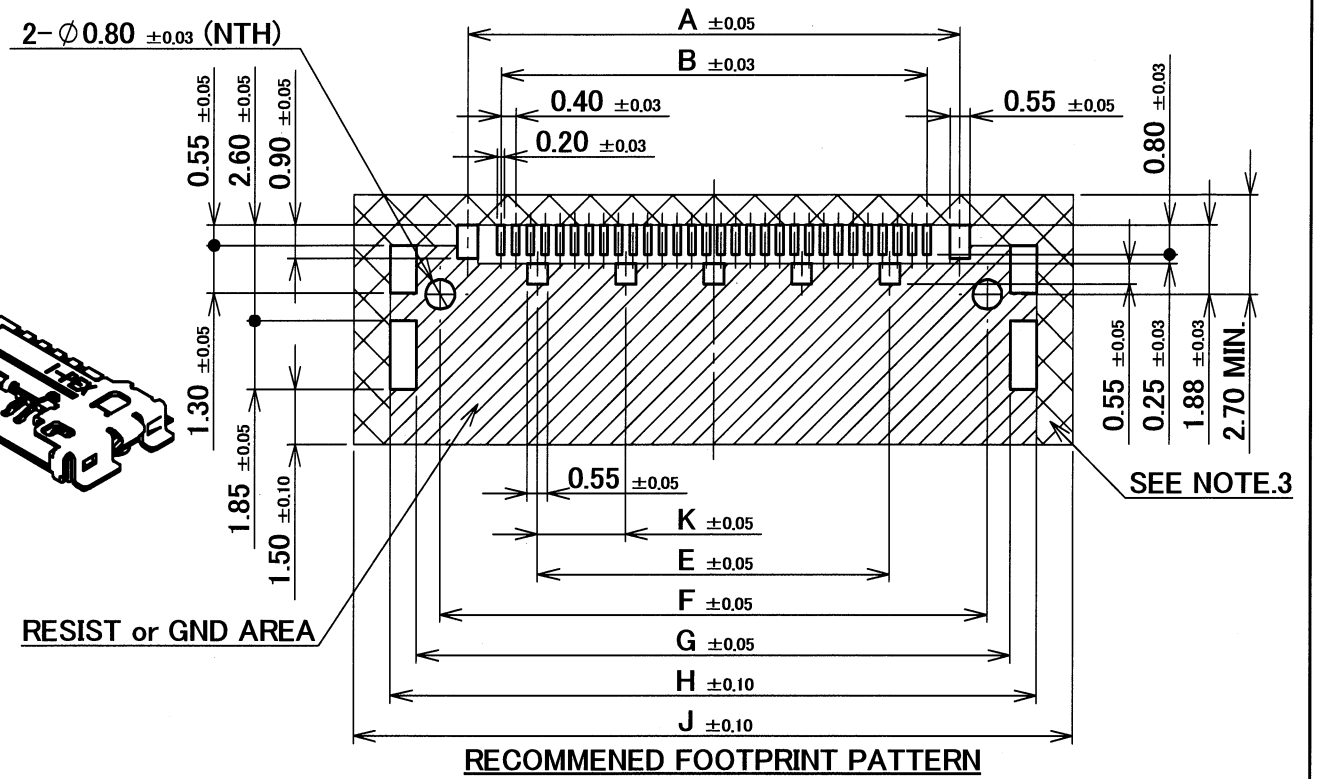
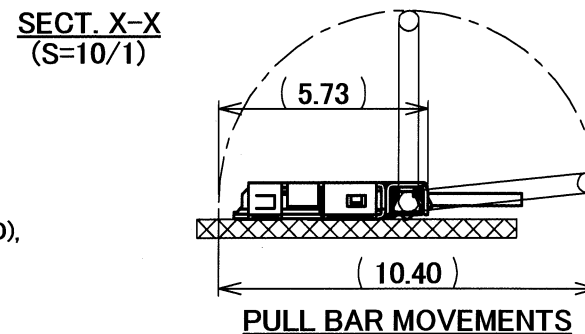
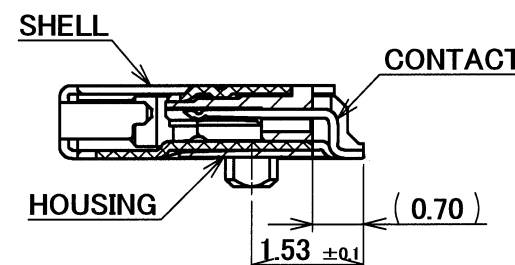
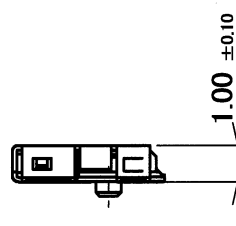
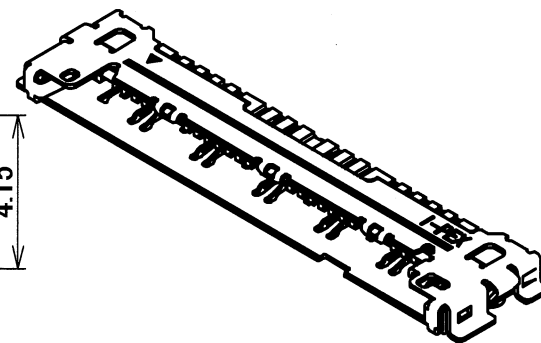
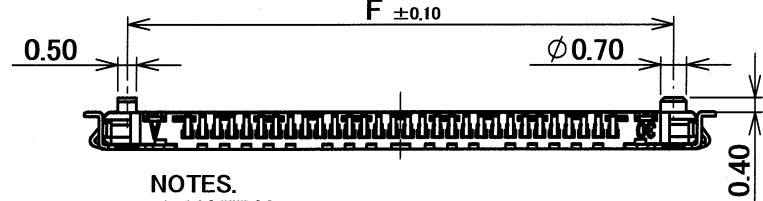
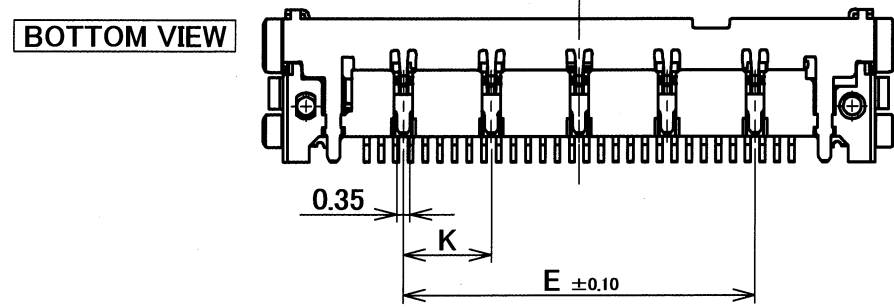
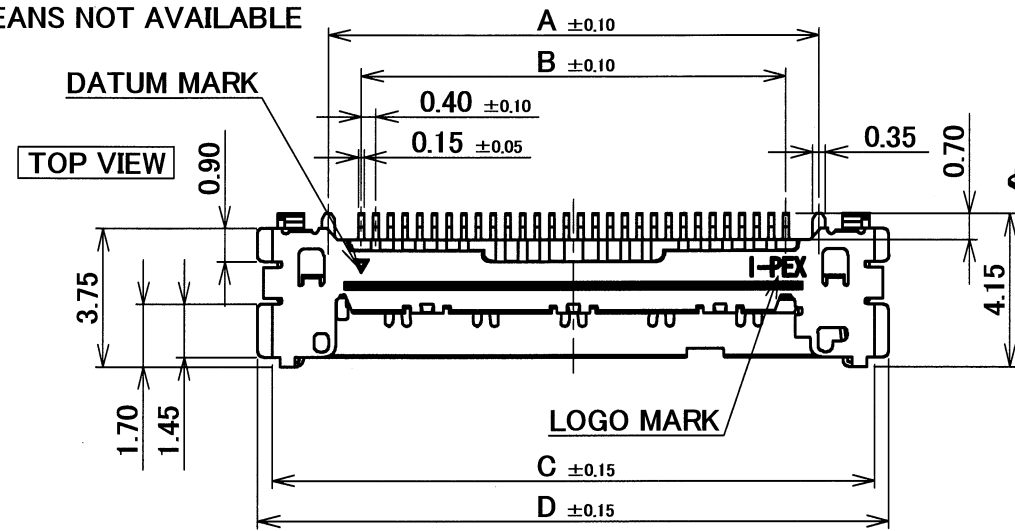


PART NO.	Pos.	A	B	C	D	E	F	G	H	J	K
20654-020E-01	20	9.40	7.60	12.43	13.20	4.80	10.90	12.18	13.60	15.60	2.40
◆20654-030E-01	30	13.40	11.60	16.43	17.20	9.60	14.90	16.18	17.60	19.60	2.40
◆20654-040E-01	40	17.40	15.60	20.43	21.20	12.00	18.90	20.18	21.60	23.60	2.40
◆20654-050E-01	50	21.40	19.60	24.43	25.20	16.80	22.90	24.18	25.60	27.60	2.80
20654-060E-01	60	25.40	23.60	28.43	29.20	19.20	26.90	28.18	29.60	31.60	3.20

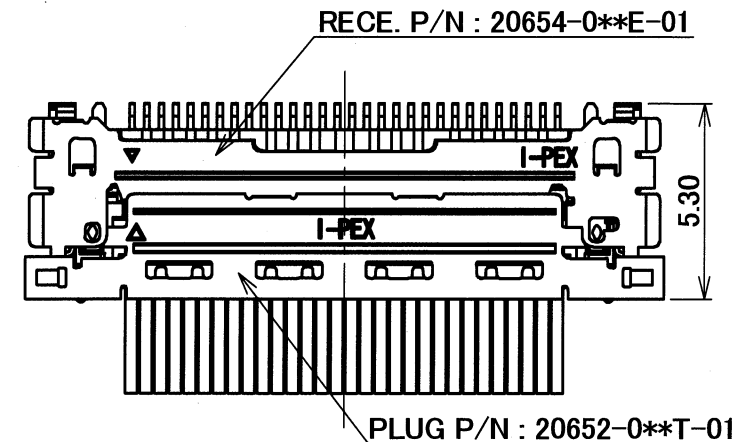
P/N : 20654-0** E-01

Pos.

◆MARK MEANS NOT AVAILABLE



SEE NOTE.3



- NOTES.
- MATEAL
HOUSING : HEAT RESISTING PLASTICS(GLOSS REINFORCED), UL94V-0, BLACK
CONTACT : COPPER ALLOY
SHELL : COPPER ALLOY
 - FINISH
CONTACT :
CONTACT AREA : Au 0.1 μm MIN. OVER Ni 1.27 μm MIN.
SOLDERING AREA : Au 0.03 μm MIN. OVER Ni 1.27 μm MIN.
SHELL :
ALL : Au 0.02~0.1 μm OVER Ni 1.27 μm MIN.
 - COPLANARITY : 0.10MAX.
 - IN CASE OF PLUG WITH PULL BAR (P/N 20652-0**T-01), THIS AREA CANNOT MOUNT ANOTHER COMPONENTS.
 - PRODUCT SPECIFICATION : No. PRS-2050
 - TO HANDLE THIS CONNECTOR, YOU MUST READ AND FOLLOW THE INSTRUCTION MANUAL BELOW.
INSTRUCTION MANUAL : No. HIM-14030
 - RoHS Compliant and Halogen Free

GENERAL TOLERANCE	
6 MAX.	±0.2
6 OVER MAX. 30	±0.3
30 OVER MAX. 120	±0.5
ANGLE	±2°

REV.RECORD						DESIGN BY		DATE		TITLE				
1	Z150261	S.A	Mar./11/15	EK		Y.Shimada	Feb./03/'15			I-PEX DAHCHI SEIKO CO.,LTD. I-PEX Business Company CABLINE-CL RECE. ASS'Y				
0	Z150119	Y.S	Feb./03/'15			J.Tateishi	Feb./04/'15							
REV	ECN	BY	DATE	APP		E.Kawabe	Feb./04/'15			SCALE	UNIT	DWG. No.	SHEET	REV.
SERIES No.						CUSTOMER COPY		PROJECTION		5/1	mm	20654	1/1	1

Confidential III B