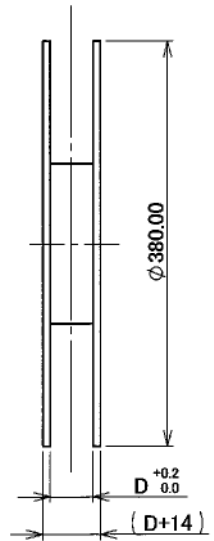
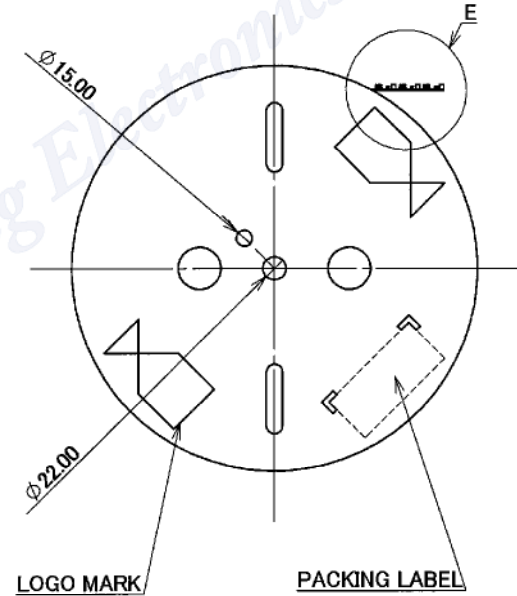
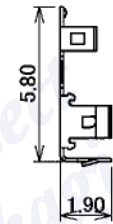
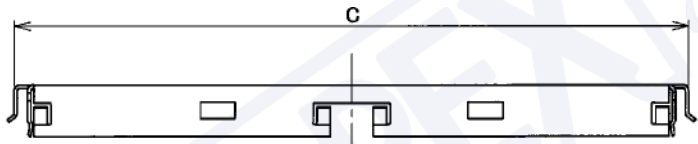
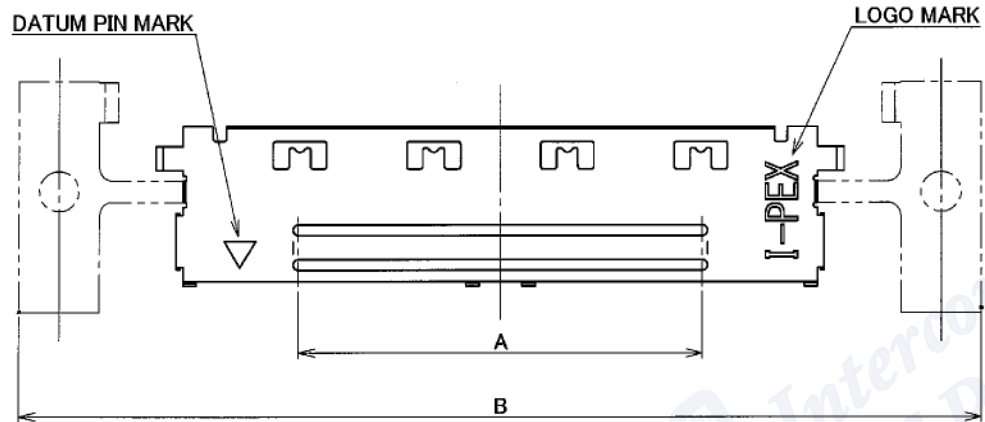
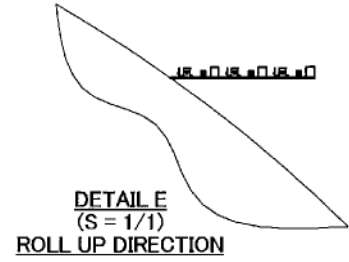
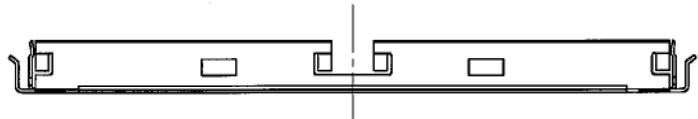
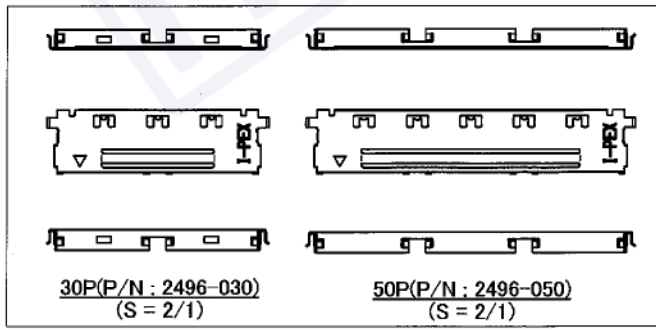


Recommended P/N		2496-0**			
PART NO.	POS.	A	B	C	D
2496-030	30	10.00	30.00	20.24	35.00
2496-040	40	15.00	36.00	25.24	40.00
2496-050	50	20.00	40.00	30.24	45.00



PACKING REEL  
(S = 1/5)

NOTES  
1. MATERIAL  
COPPER ALLOY (FINISH: Sn PLATING)



GENERAL TOLERANCE	
6 MAX.	±0.2
6 OVER MAX. 30	±0.3
30 OVER MAX. 120	±0.5
ANGLE	±2°

**I-PEX** DAHCHI SEIKO CO., LTD.  
I-PEX Business Company

TITLE FPL II CONN. PLUG SHELL-A

SERIES No.	R2	CUSTOMER COPY	PROJECTION	SCALE	UNIT	DWG. No.	SHEET	REV.
				5:1	mm	2496	1/1	6