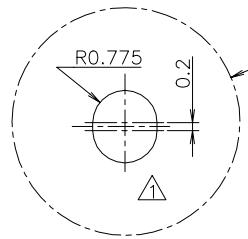
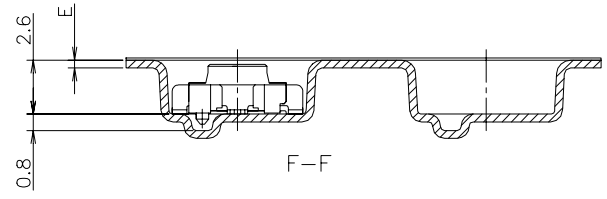
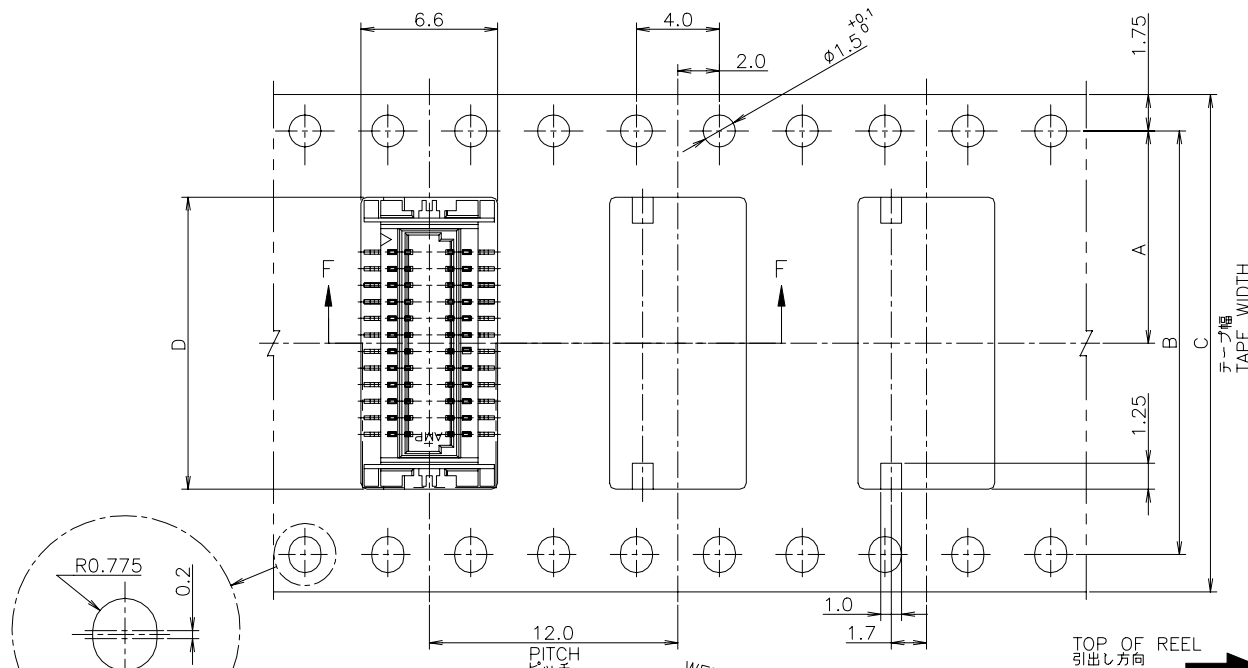


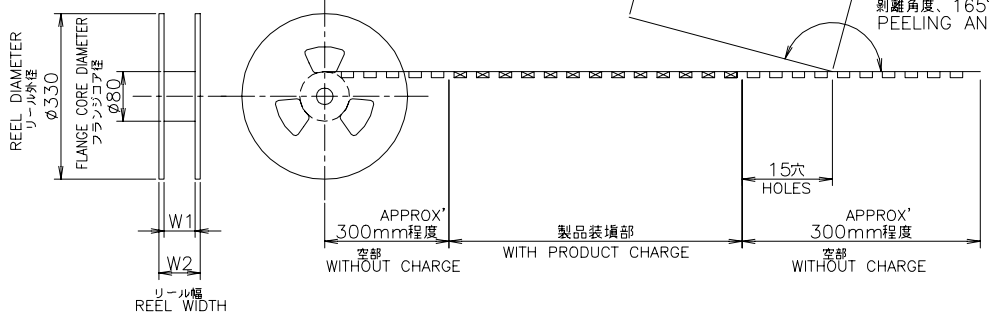
REVISIONS				
P	LTR	DESCRIPTION	DATE	APVD
	M2	ECO-20-009896:EOL 2-179397-4	21DEC2020	A.L H.L

AS SHOWN 24 POS.

指示穴は40極品以上に適用。
 THESE HOLES ARE APPLIED TO 40 POS OR MORE.



WEEDING THE COVER TAPE AROUND THE OUTER PERIPHERY IN A TURN.
 カバーテープリーダー部外周一巻
 剥離角度、165°~180° PEELING ANGLE.



	黒 BLACK	29.5	25.5	0.38	16.5	24	11.5	1500	30	3-179397-5
	OBSOLETE BEIGE	49.5	45.5	0.38	24.5	44	20.2	1500	50	5-179397-0
	OBSOLETE	37.5	33.5		20.5	32	14.2		40	4-0
					16.5				30	3-0
M2	OBSOLETE	29.5	25.5		14.1	24	11.5		24	2-4
	OBSOLETE				10.9				16	1-6
	OBSOLETE	21.5	17.5	0.38	10.1				14	1-4
	ベージュ BEIGE	22.4	16.4	0.4	9.3	16	7.5	1500	12	1-179397-2

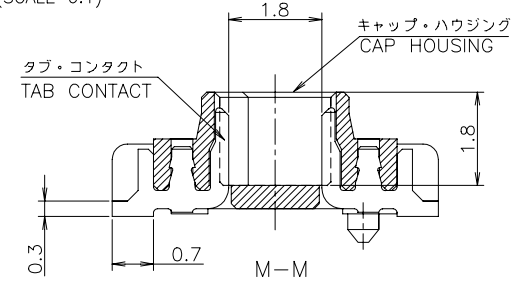
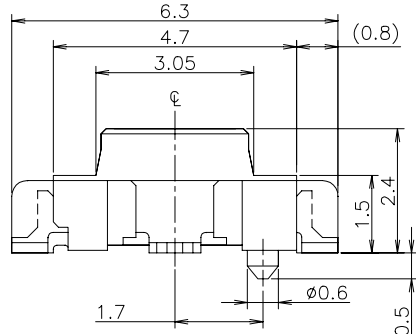
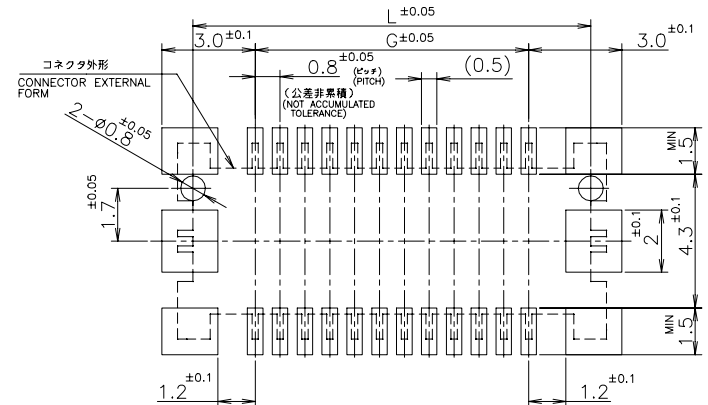
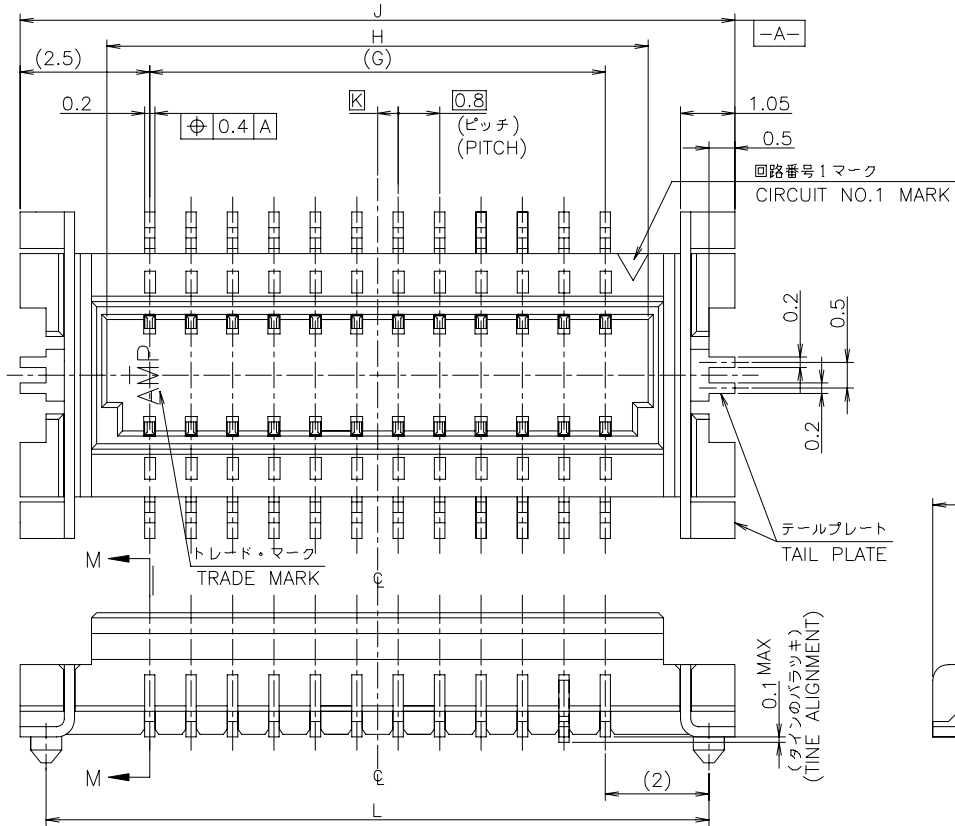
INSTRUCTION SHEET
 取扱説明書
 411-5654

COLOR		DIMENSIONS							数量 (ヶ) QTY/REEL	極数 POS	リール巻コネクタ型番 TAPING P/N
色	W2	W1	E	D	C	B	A				

THIS DRAWING IS A CONTROLLED DOCUMENT.

DIMENSIONS: 単位: 耗 mm	TOLERANCES UNLESS OTHERWISE SPECIFIED: 一般公差	DWN K.ASAKAWA 24FEB94	TE Connectivity Ltd.
0 PLC ± 0.2	1 PLC ± 0.2	CHK S.KUBOUCHI 24FEB94	
2 PLC ± 0.2	3 PLC ± 0.2	APVD S.KUBOUCHI 01NOV96	NAME 名称
4 PLC ± 0.2	ANGLES ± 3'	PRODUCT SPEC 製品規格	ON TAPING EMBOSS CAP ASSY WITH BOSS
MATERIAL 材料	FINISH 仕上	APPLICATION SPEC 取付適用規格	0.8mm PITCH B-T-B CONN
		WEIGHT	MATING HEIGHT 3.0mm
		CUSTOMER DRAWING	SIZE A3 CAGE CODE 00779 DRAWING NO. C=179397
			RESTRICTED TO
			SCALE 尺度 4:1 SHEET 1 OF 2 REV M2

REVISIONS					
P	LTR	DESCRIPTION	DATE	DWN	APVD
-	-	SEE SHEET 1	-	-	-



0.241	15.2	---	16.2	12.8	11.2	30
0.361	23.2	---	24.2	20.8	19.2	50
0.301	19.2	0.4	20.2	16.8	15.2	40
0.241	15.2	---	16.2	12.8	11.2	30
0.205	12.8	0.4	13.8	10.4	8.8	24
0.157	9.6	0.4	10.6	7.2	5.6	16
0.145	8.8	---	9.8	6.4	4.8	14
0.133	8.0	0.4	9.0	5.6	4.0	12
重量 (g) (WEIGHT)	L	K	J	H	G	極数 (POS)

△ 材料: ハウジング - 6T NYLON (高耐熱性ナイロン)
 ガラス30%, 色: ベージュ
 コンタクト - 燐青銅・錫めっき(0.2t)
 テールプレート - 燐青銅・錫めっき(0.2t)

△ MATERIAL: HOUSING - 6T NYLON (HIGH HEAT-RESISTED NYLON), GF30%,
 COLOR: BEIGE.
 CONTACT - POST-TIN/PHOS-BROZ(0.2t)
 TAIL PLATE - POST-TIN/PHOS-BROZ(0.2t)

THIS DRAWING IS A CONTROLLED DOCUMENT.

DIMENSIONS: 単位: 耗 mm	TOLERANCES UNLESS OTHERWISE SPECIFIED: 一般公差
	0 PLC ± 0.2 1 PLC ± 0.2 2 PLC ± 0.2 3 PLC ± 0.2 4 PLC ± 0.2 ANGLES $\pm 3'$
MATERIAL 材料	FINISH 仕上
SEE NOTE △ 注△参照	SEE NOTE △ 注△参照

DWN
CHK
APVD
PRODUCT SPEC
製品規格
APPLICATION SPEC
取付適用規格
WEIGHT
CUSTOMER DRAWING

TE TE Connectivity Ltd.

NAME
名称
ON TAPING EMBOSS CAP ASSY WITH BOSS
0.8mm PITCH BTB CONN
MATING HEIGHT 3.0mm

SIZE
A3
CAGE CODE
00779
DRAWING NO
番号
G=179397
RESTRICTED TO

SCALE
尺度 10:1
SHEET
2 OF 2
REV
M2